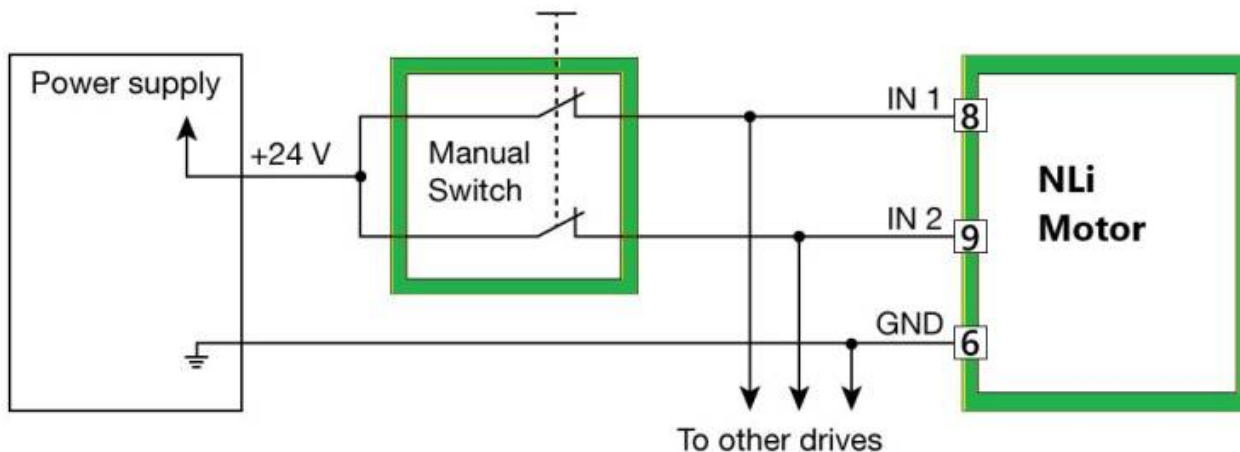


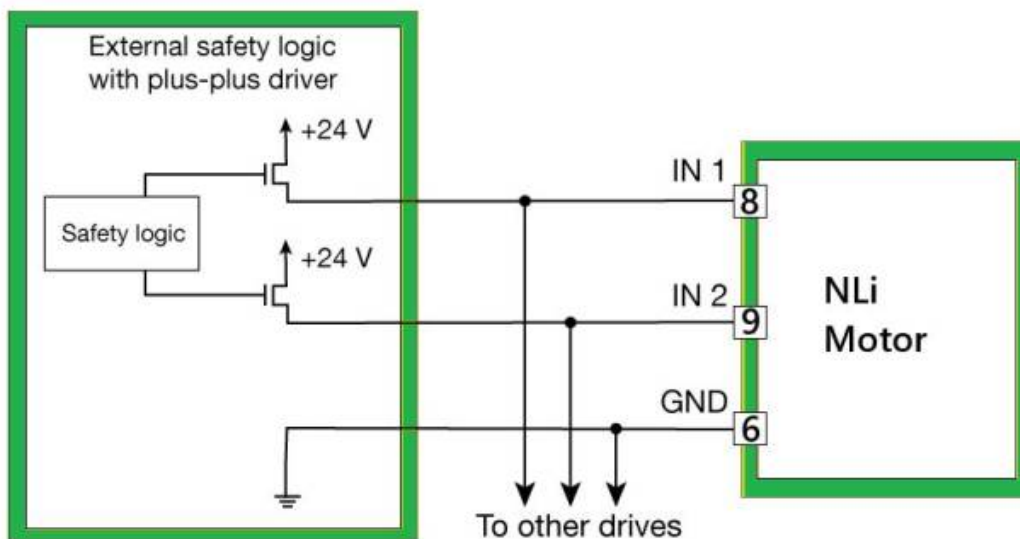
Safe Torque Off

Manual switch (Emergency button)



Safety PLC

For example: Safety PLC output or safety sensors (e.g. Safety light curtain, safety scanner etc.)



From:
<https://dokuwiki.nilab.at/> - NiLAB GmbH
Knowledgebase

Permanent link:
https://dokuwiki.nilab.at/doku.php?id=epulse:sto_inputs

Last update: 2026/03/10 15:21



