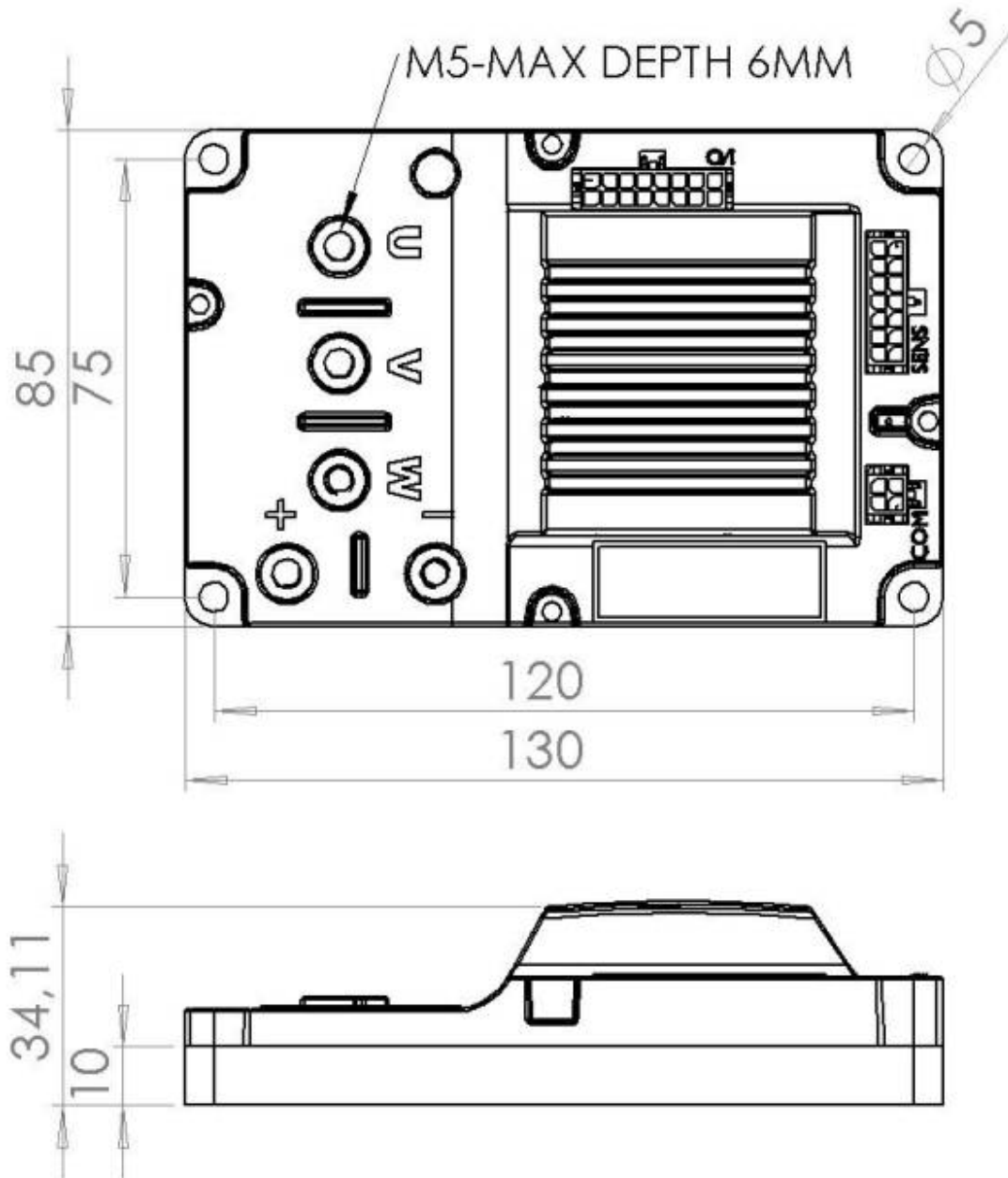


Epulse50 Mechanical Dimensions

3D Model (Step format):

www.nilab.at/dokuwiki/lib/exe/fetch.php?media=epulse50_dc_servodrive:d-ftd50-0003-3.zip



From:
<https://dokuwiki.nilab.at/> - NiLAB GmbH
Knowledgebase

Permanent link:
https://dokuwiki.nilab.at/doku.php?id=epulse50_dc_servodrive:mechanical

Last update: 2024/07/30 13:28



