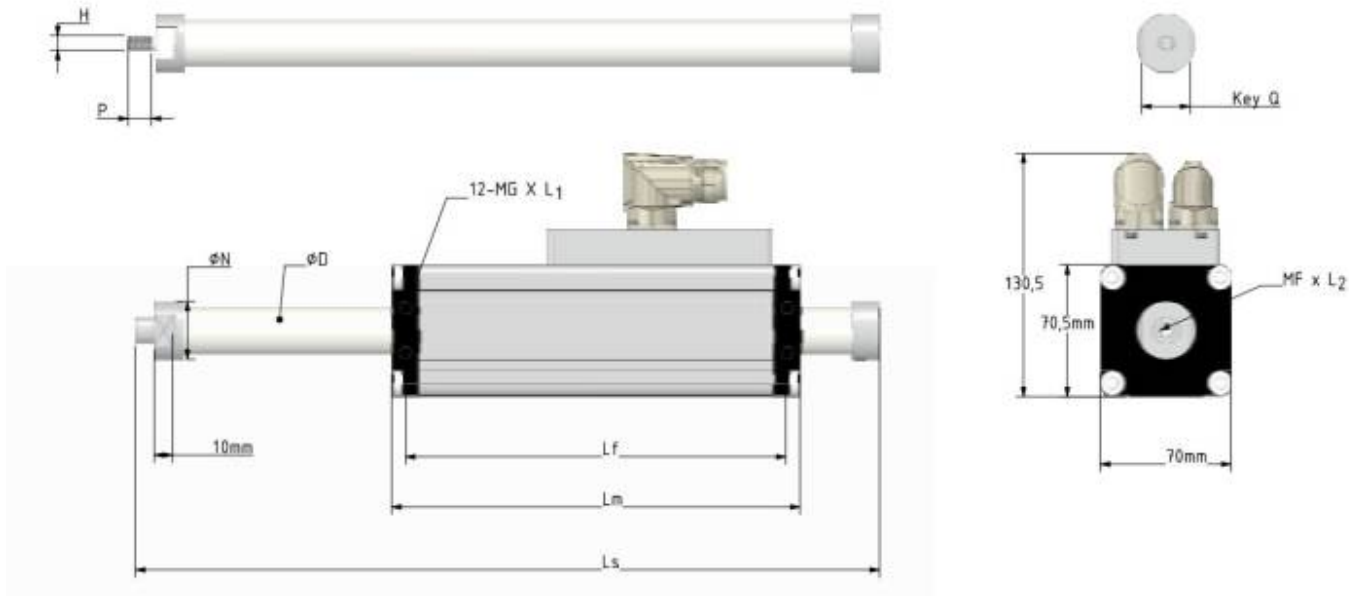


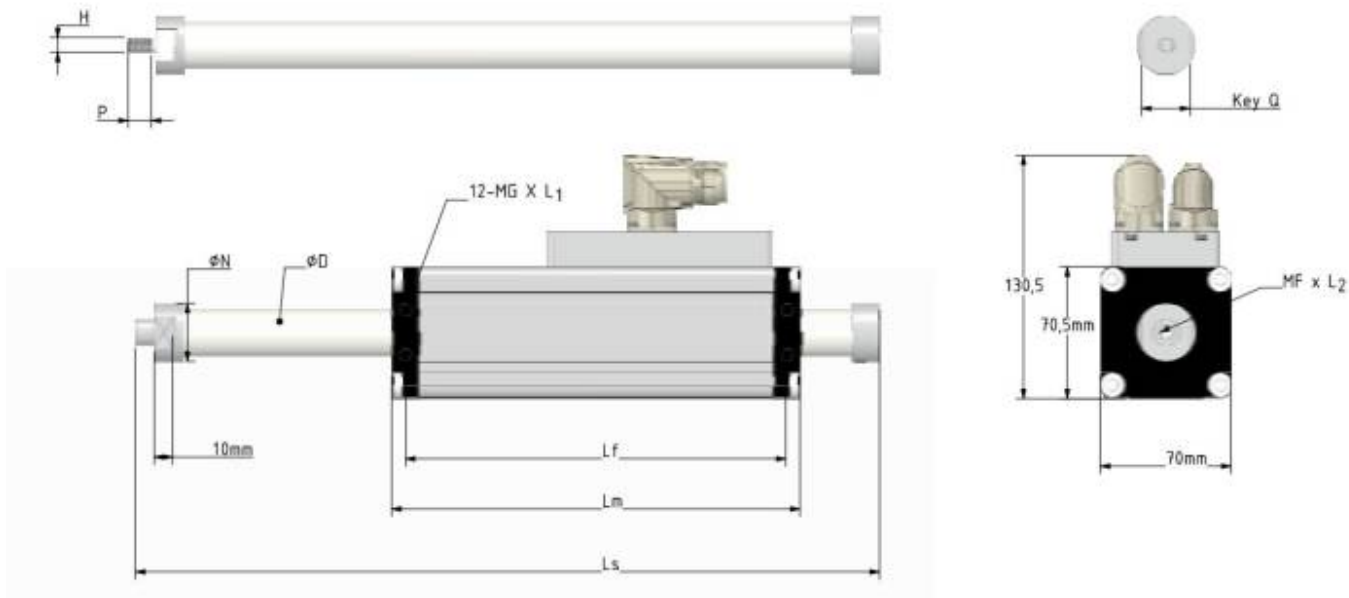
Dimensional details

GDI250 Dimensions



MOTOR	STATOR LENGHT Lm	MF threaded hole	Diameter D	SLIDER LENGTH Ls	UNIT
GDI250T	198	M8x10	25	Stroke + 198 + terminals	mm
GDI250Q	230	M8x10	25	Stroke + 230 + terminals	mm
GDI250X	374	M8x10	25	Stroke + 374 + terminals	mm

GDI350 Dimensions



MOTOR	STATOR LENGHT Lm	MF threaded hole	Diameter D	SLIDER LENGTH Ls	UNIT
-------	------------------	------------------	------------	------------------	------

GDI350TS	208	M10x16	35	Stroke + 208 + terminals	mm
GDI350XS	358	M10x16	35	Stroke + 358 + terminals	mm
GDI350ES	484	M10x16	35	Stroke + 484 + terminals	mm

From:

<https://dokuwiki.nilab.at/> - **NiLAB GmbH**
Knowledgebase

Permanent link:

https://dokuwiki.nilab.at/doku.php?id=green_drive_iso:dimensional_details

Last update: **2023/09/21 07:15**

