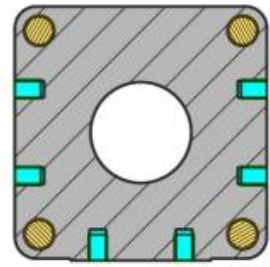
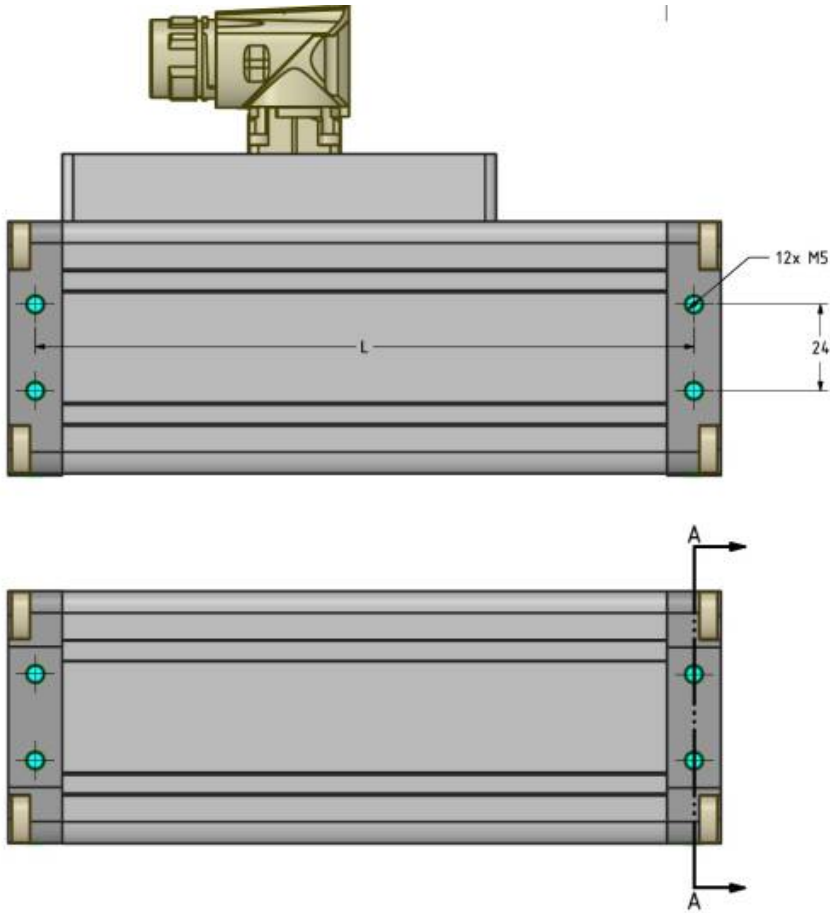


How to mount the stator

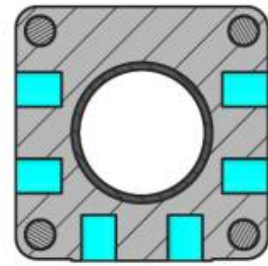
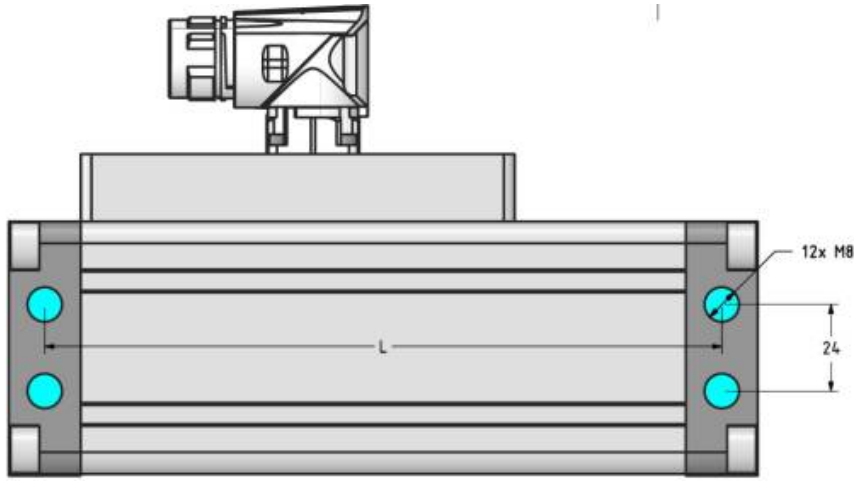
GDI250..



SECTION A-A

GDI250	L (mm)
TS	183
QS	204
XS	333

GDI350..



SECTION A-A



GDI350	L (mm)
TS	188
QS	217
XS	342
ES	468

From:
<https://dokuwiki.nilab.at/> - NiLAB GmbH
Knowledgebase

Permanent link:
https://dokuwiki.nilab.at/doku.php?id=green_drive_iso:fixing_point

Last update: 2026/02/17 08:05

