

Accessories

Linear coupling

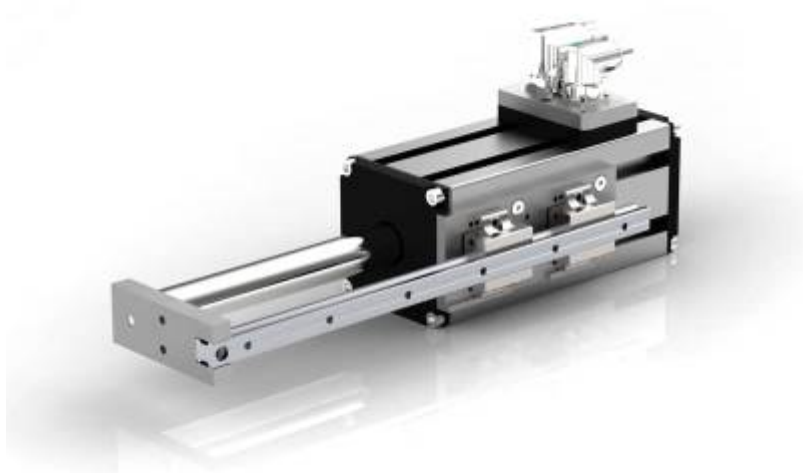
To connect the payload with the slider, a coupling system is needed to transmit the linear force only, to guarantee zero backlash in axial direction and to correct angular misalignment. Therefore, we recommend to use the linear coupling LK.



Anti-rotation mechanics with integrated pneumatic brake



Anti-rotation mechanics for horizontal applications



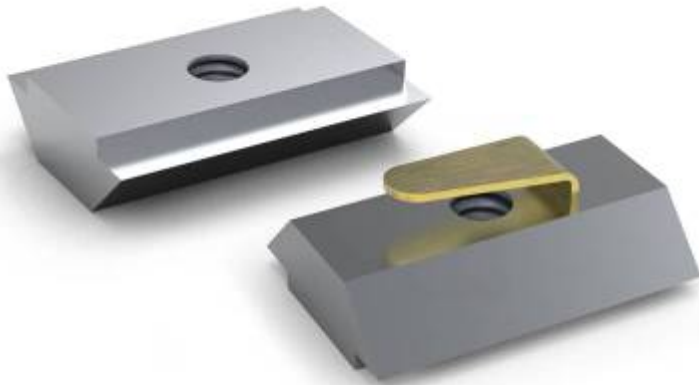
Cooling accessories

3D Model files of the FAN cooling system for GD250/GD350: [:green_drive_motors:fan_cooling.zip](https://dokuwiki.nilab.at/doku.php?id=green_drive_motors:fan_cooling.zip)



Mounting accessories - M5 / M6 / M8 Nuts

3D model files of the mounting nuts: [:green_drive_motors:dsp-nuts_m5-m6-m8.zip](https://dokuwiki.nilab.at/doku.php?id=green_drive_motors:dsp-nuts_m5-m6-m8.zip)



From:
<https://dokuwiki.nilab.at/> - **NiLAB GmbH**
Knowledgebase

Permanent link:
https://dokuwiki.nilab.at/doku.php?id=green_drive_motors:accessories

Last update: **2025/12/02 07:30**

