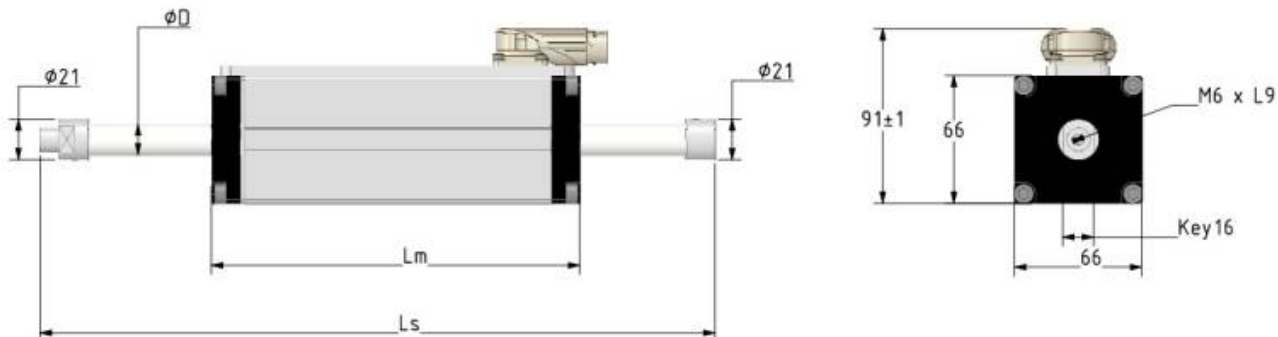


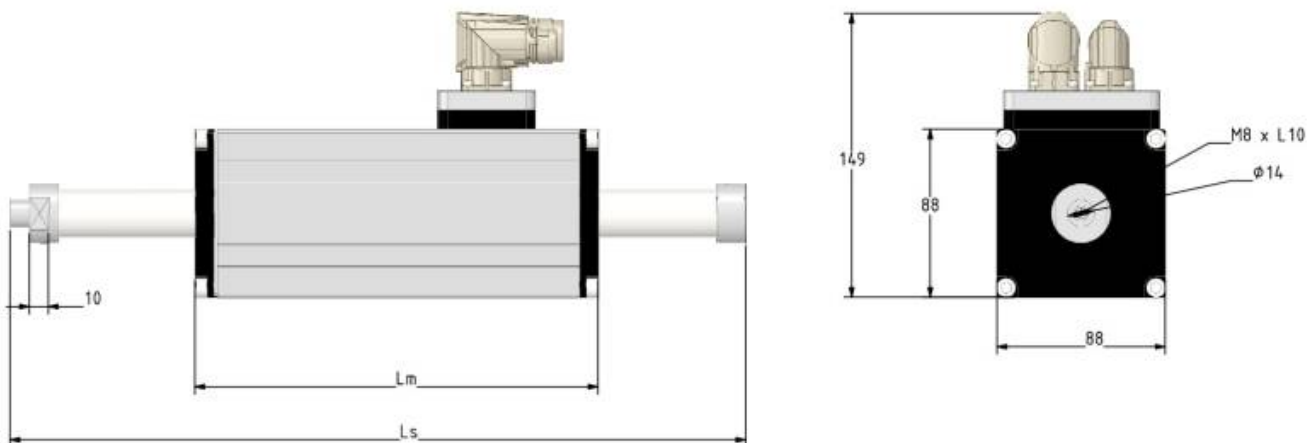
Dimensional details

GD16 dimensions



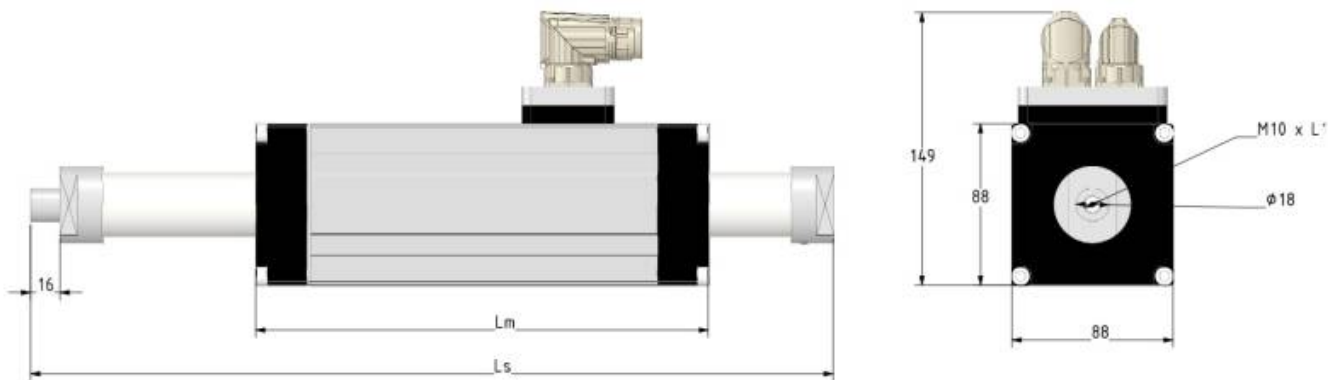
MOTOR	STATOR LENGHT Lm	SLIDER LENGTH Ls	UNIT
GD160D	159	Stroke + 159 + terminals	mm
GD160T	189	Stroke + 189 + terminals	mm
GD160Q	219	Stroke + 219 + terminals	mm

GD250 Dimensions



MOTOR	STATOR LENGHT Lm	SLIDER LENGTH Ls	UNIT
GD250D	160	Stroke + 160 + terminals	mm
GD250T	190	Stroke + 190 + terminals	mm
GD250Q	210	Stroke + 210 + terminals	mm
GD250X	340	Stroke + 340 + terminals	mm

GD350 Dimensions



MOTOR	STATOR LENGHT Lm	SLIDER LENGTH Ls	UNIT
GD350TS	226	Stroke + 226 + terminals	mm
GD350XS	376	Stroke + 376 + terminals	mm
GD350ES	502	Stroke + 502 + terminals	mm

From:
<https://dokuwiki.nilab.at/> - NiLAB GmbH
Knowledgebase

Permanent link:
https://dokuwiki.nilab.at/doku.php?id=green_drive_motors:dimensional_details

Last update: 2023/09/21 07:15

