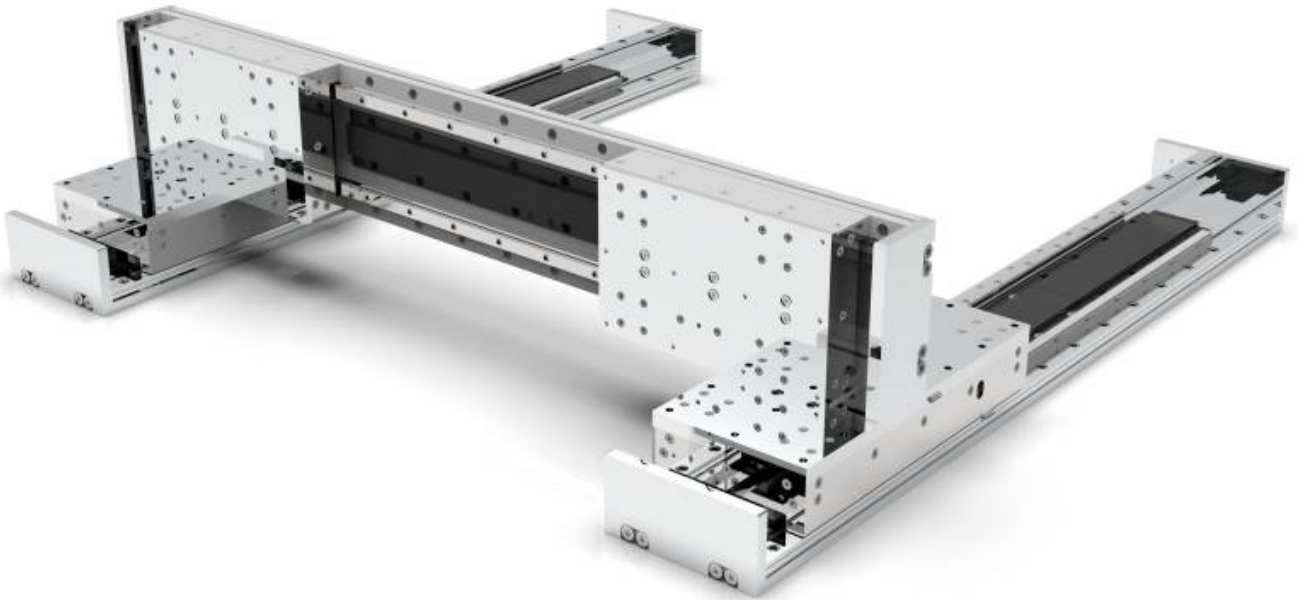
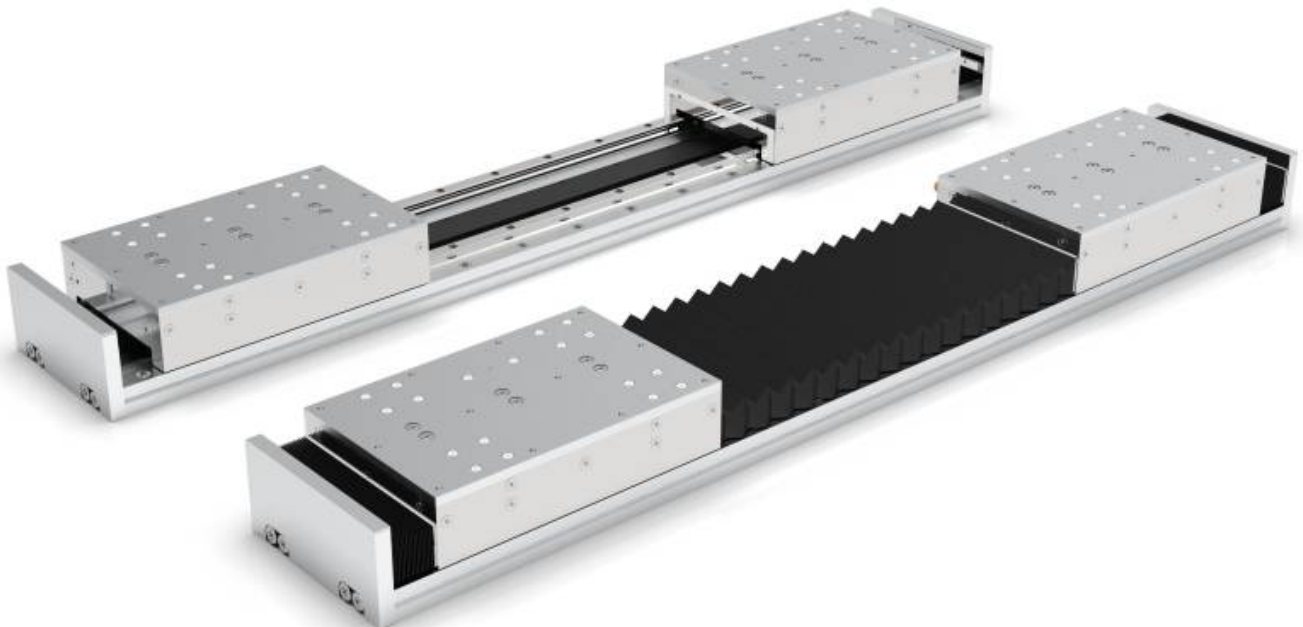


## Mounting examples

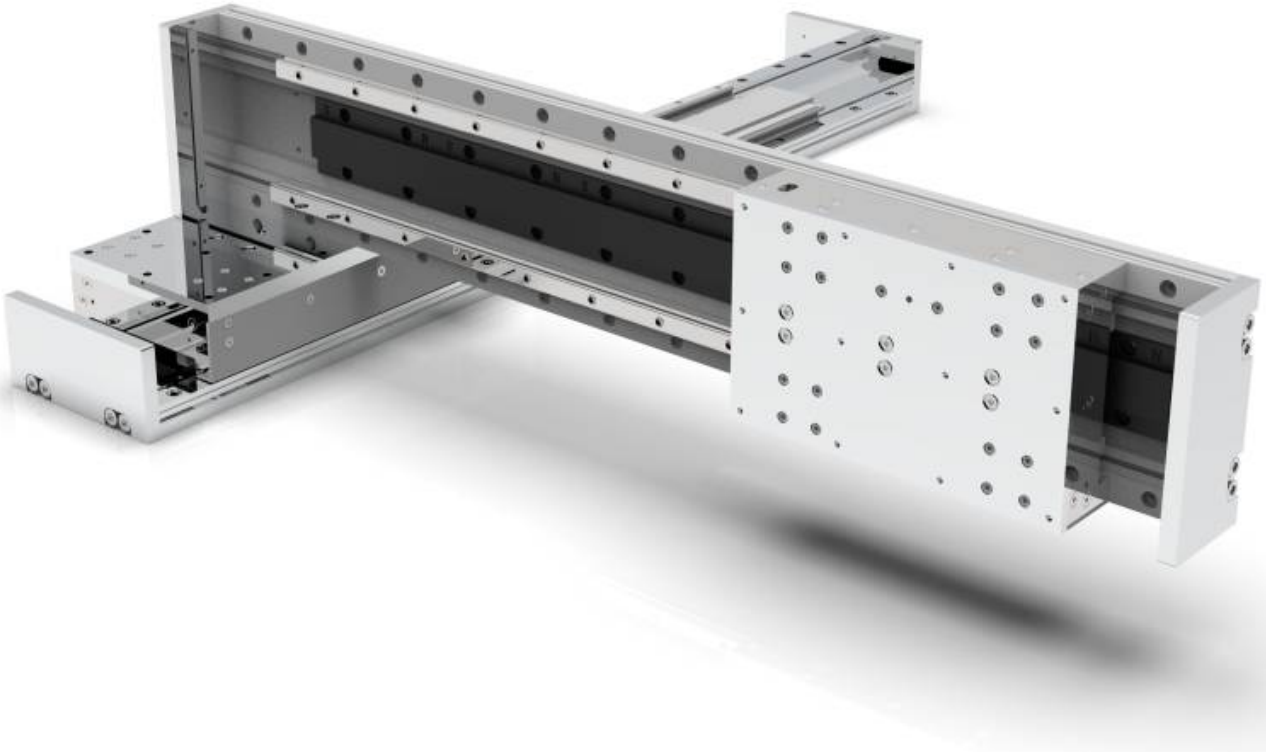
### 2D Gantry



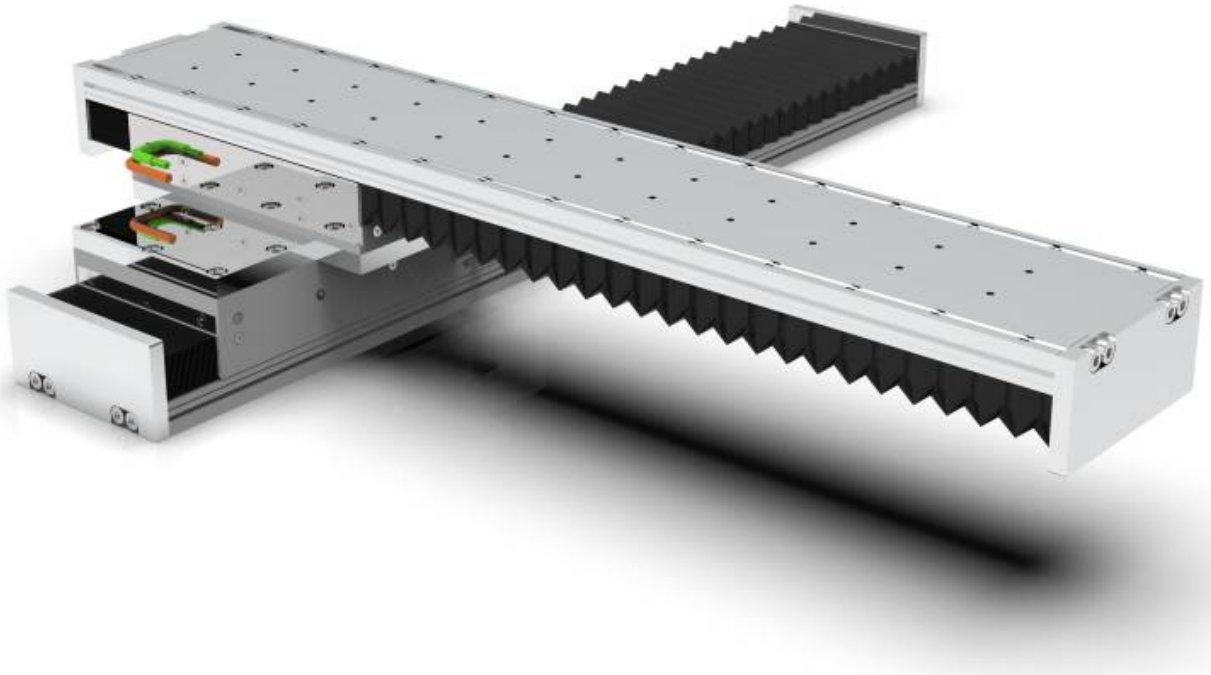
### Dual Carriage



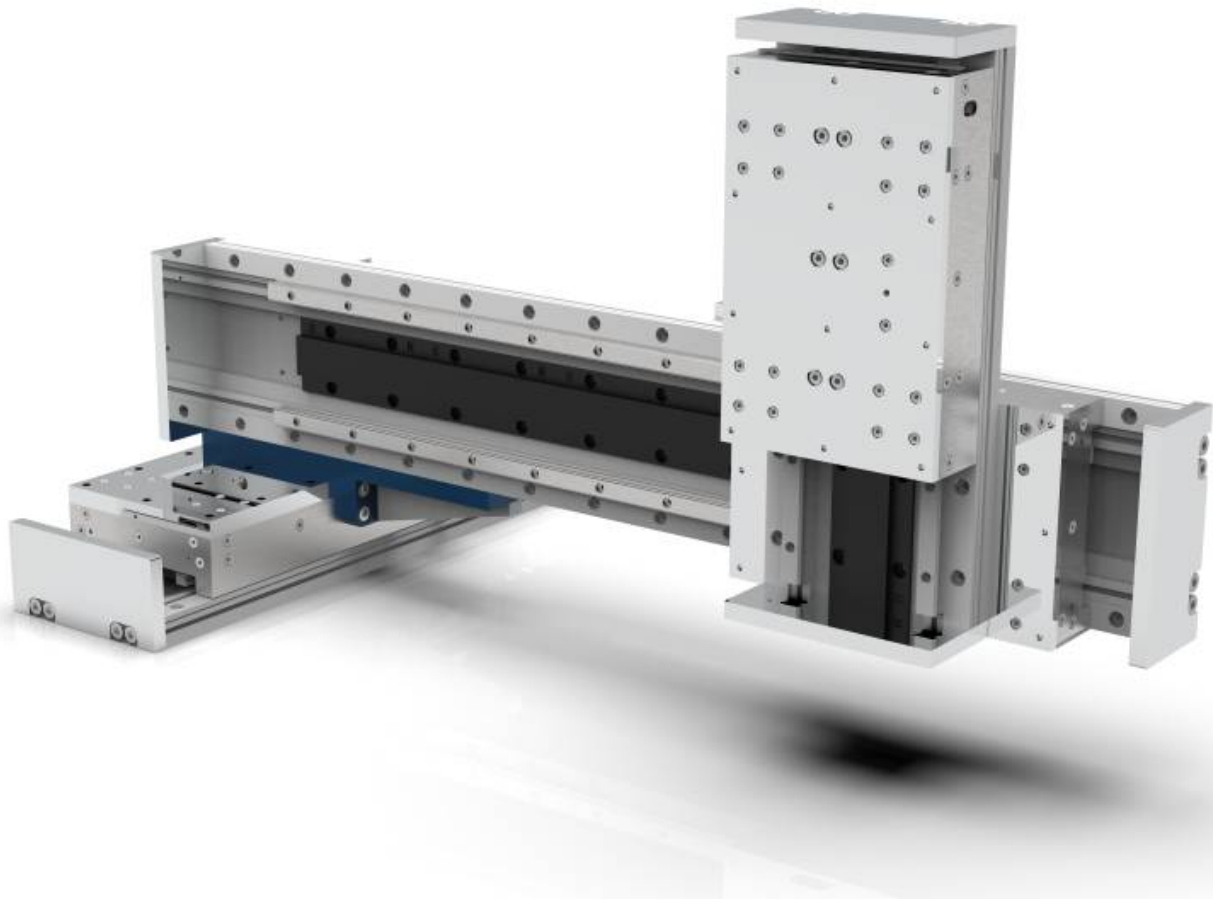
### Cantilever



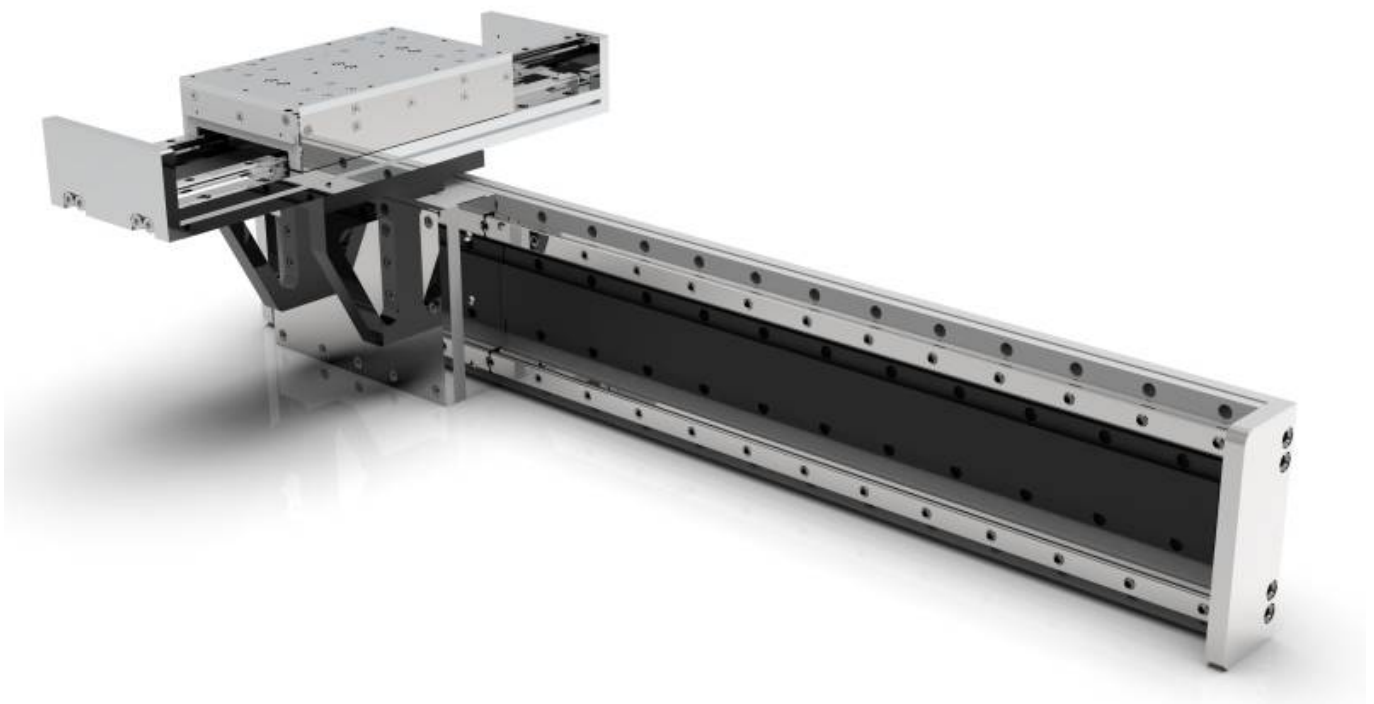
### Crossed Axes



### 3 x Crossed axes



### Side crossed axes



From:  
<https://dokuwiki.nilab.at/> - **NiLAB GmbH**  
**Knowledgebase**

Permanent link:  
[https://dokuwiki.nilab.at/doku.php?id=lm\\_linear\\_axes:mounting\\_examples](https://dokuwiki.nilab.at/doku.php?id=lm_linear_axes:mounting_examples)

Last update: **2023/09/25 14:08**

