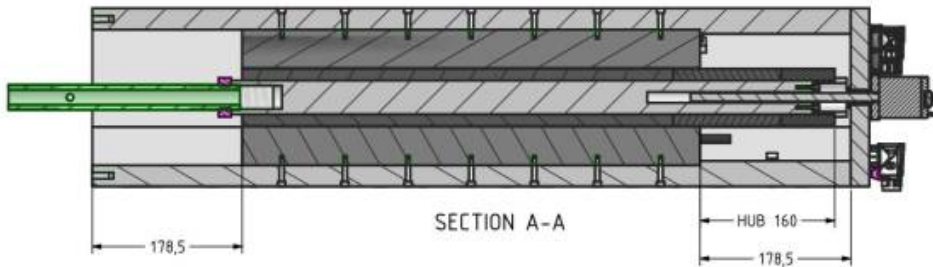
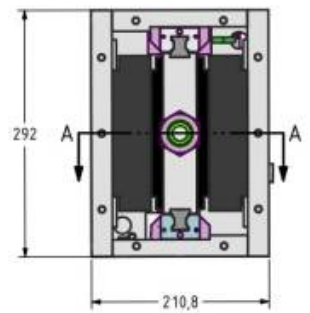
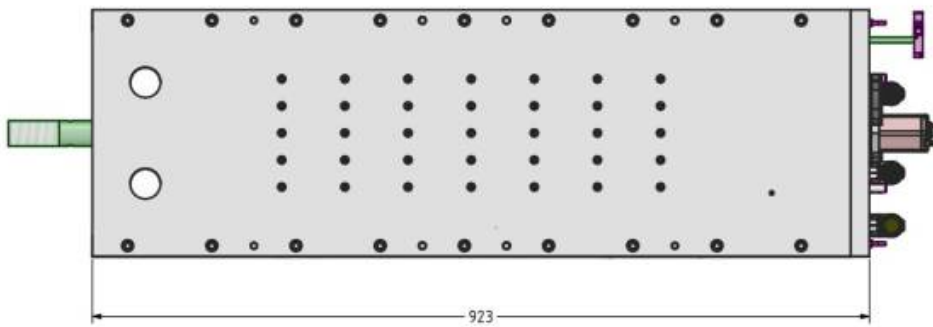


Technical Data

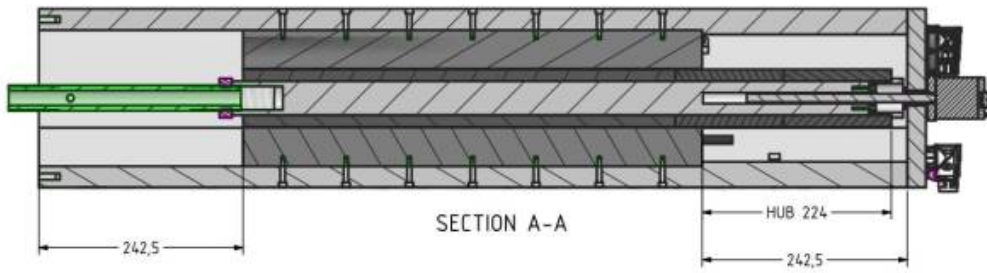
LMA150P-3615-100-NH - Effective stroke 100 mm



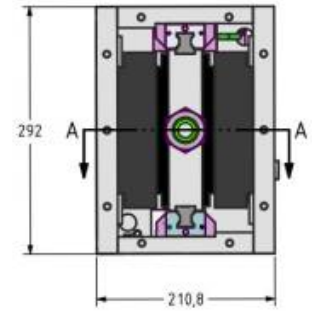
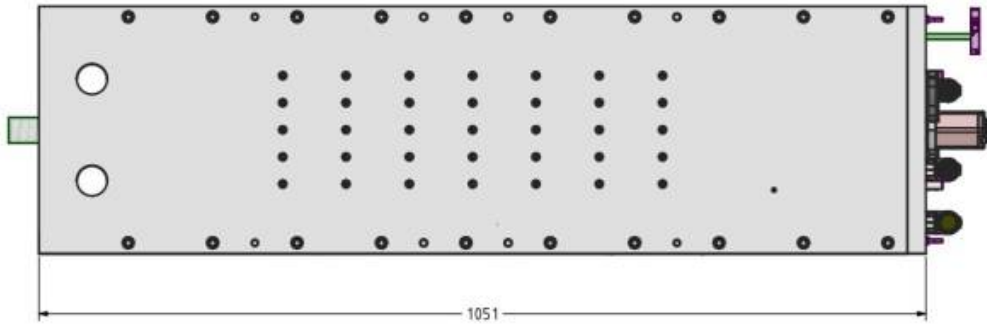
Parameter	Value	Unit
Rated Force	5400	N
Peak force	11600	N
Rated speed	2,86	m/sec
Rated Current	32	Arms
Peak Current	82	A
Force constant	168	N/A
Back EMF	97	Vrms/m/sec



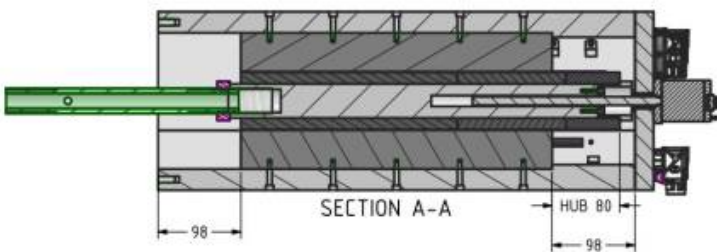
LMA150P-3615-200-NH - Effective stroke 200mm



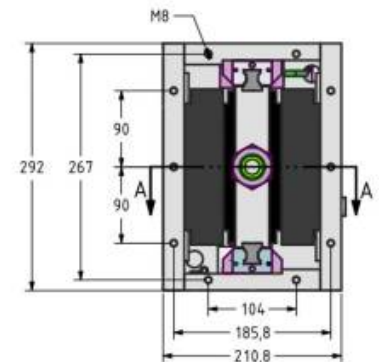
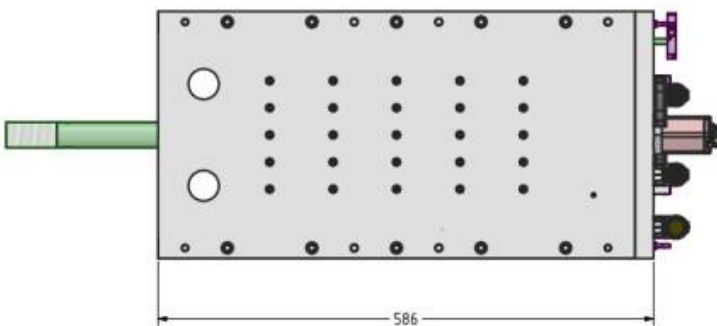
Parameter	Value	Unit
Rated Force	5400	N
Peak force	11600	N
Rated speed	2.86	m/sec
Rated Current	32	Arms
Peak Current	82	A
Force constant	168	N/A
Back EMF	97	Vrms/m/sec



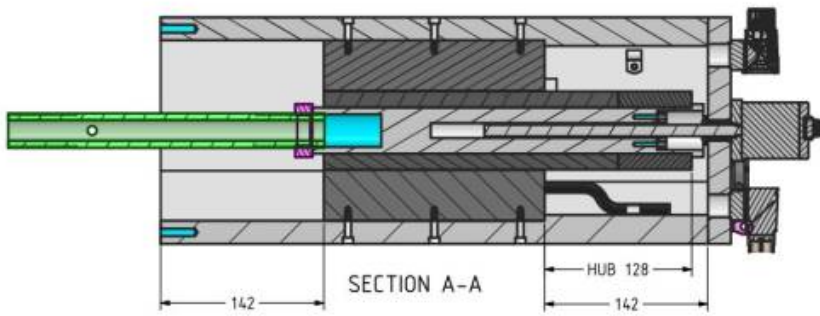
LMA150P-2415-80-NH - Effective stroke 80 mm



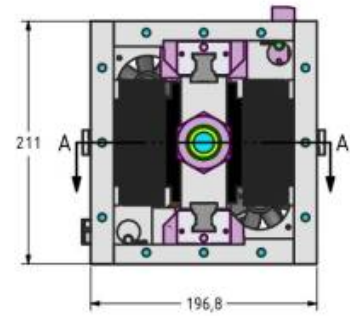
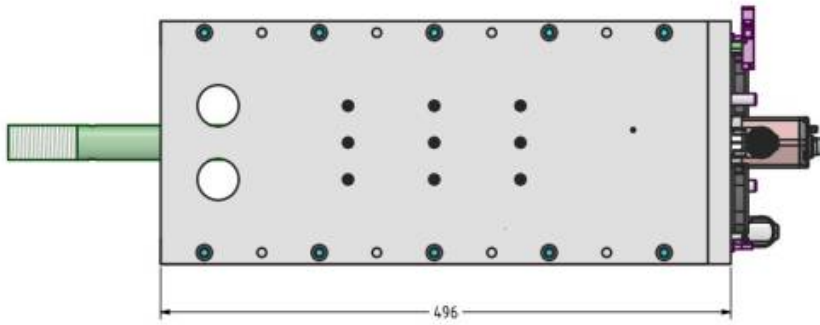
Parameter	Value	Unit
Rated force	3600	N
Peak force	7800	N
Rated speed	2.86	m/sec
Rated Current	21	Arms
Peak current	55	A
Force constant	168	N/A
Back EMF	97	Vrms/sec



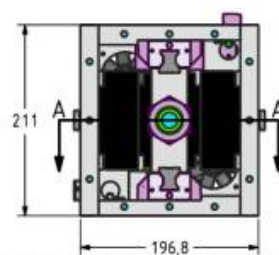
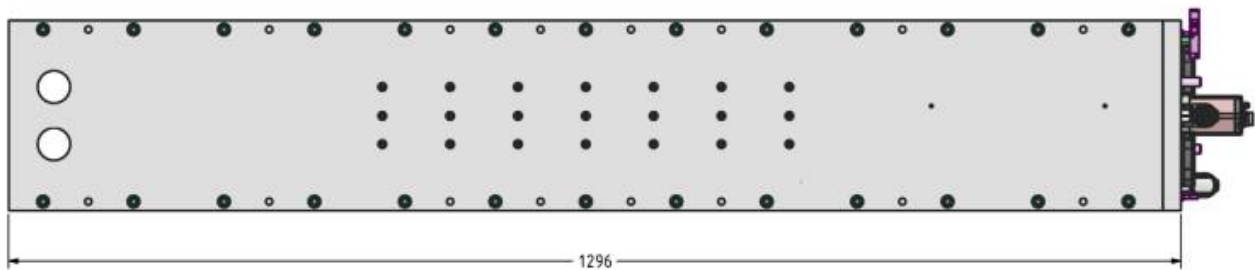
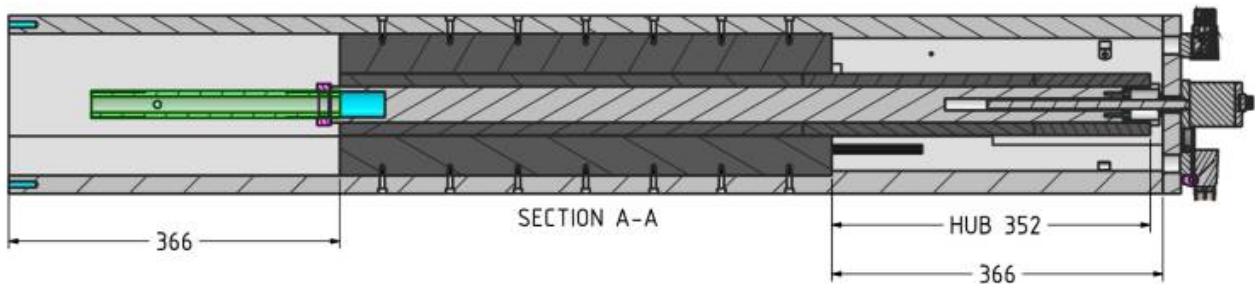
LMA075P-1215-100-NH - Effective stroke 100 mm



Parameter	Value	Unit
Rated Force	880	N
Peak Force	2000	N
Rated Speed	3	m/sec
Rated Current	6	A
Peak Current	16.4	A
Force constant	147	N/A
Back EMF	120	V/m/sec



LMA075P-3615-300-NH



Parameter	Value	Unit
Rated Force	2640	N
Peak Force	6000	N
Rated Speed	3.5	m/s
Rated Current	9	A
Peak Current	24.7	A
Force constant	145.9	N/A
Back EMF	120	V/m/s

THE INFORMATION CONTAINED IN THIS DRAWING IS THE SOLE PROPERTY OF NILAB GMBH. ANY REPRODUCTION IN PART OR WHOLE WITHOUT THE WRITTEN PERMISSION OF NILAB GMBH IS PROHIBITED.

From:

<https://dokuwiki.nilab.at/> - **NiLAB GmbH**
Knowledgebase

Permanent link:

https://dokuwiki.nilab.at/doku.php?id=Ima_actuator:technical_data

Last update: **2025/12/07 09:40**

