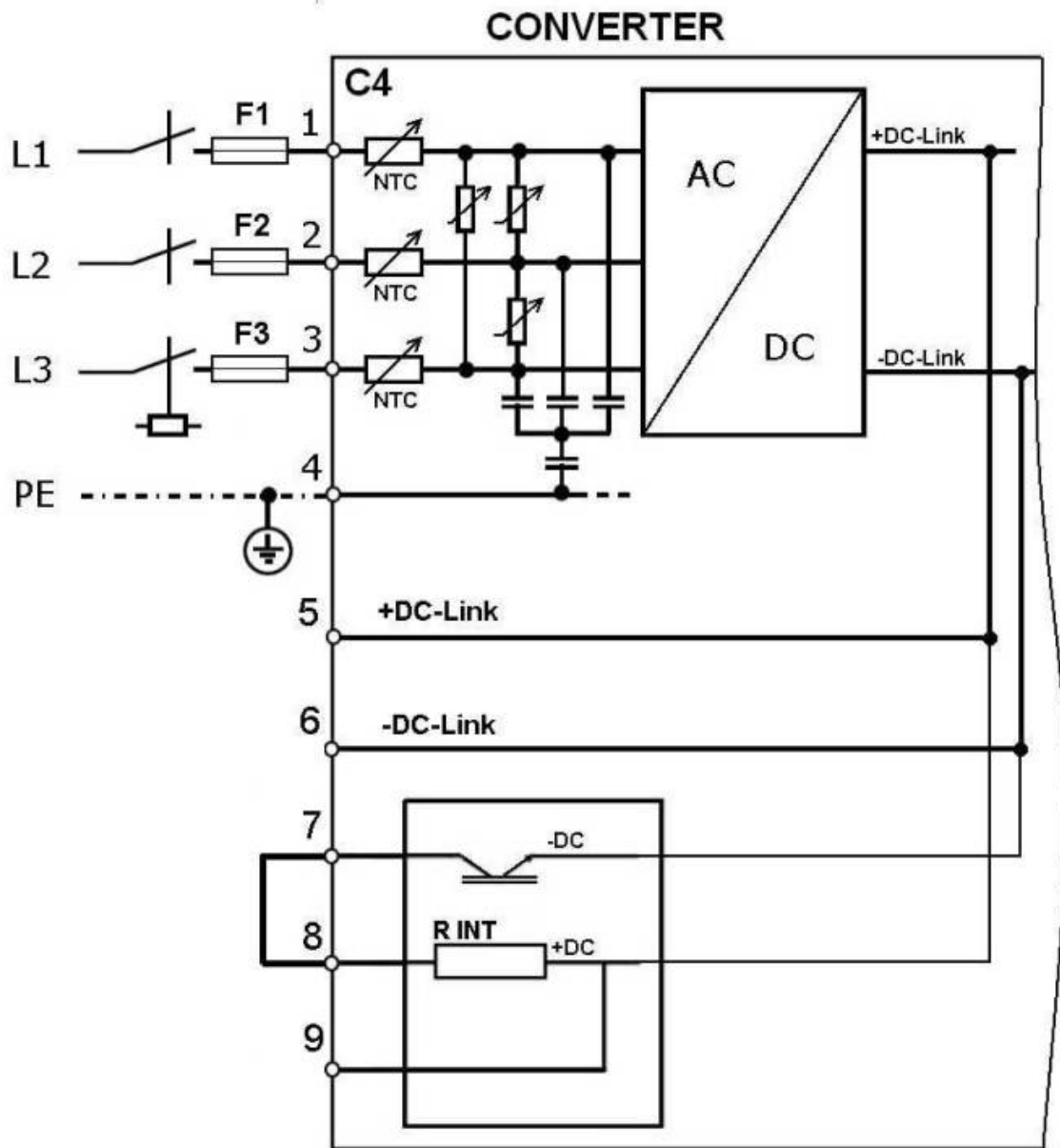


Connection to 3-phases Mains Supply Networks

Connection with 3x400 VAC power lines

The connection of the main electrical supply is made via the C4 connector. The servo amplifier must be powered only by a 3-phase grounded current in the range 230V-10%, 400 +10% and 50/60Hz frequency.

C4 CONNECTOR		
PIN	NAME	DESCRIPTION
1	L1	Power Line 1
2	L2	Power Line 2
3	L3	Power Line 3
4	PE	Protective Earth
5	+AT	+DC-link
6	-AT	-DC-link
7	R COM	Braking resistor common pole
8	R INT	Internal braking resistor connection, jumper between pin 7 and 8. (default)
9	R EXT	External braking resistor connection, connect the resistor to the pin 7 and 9

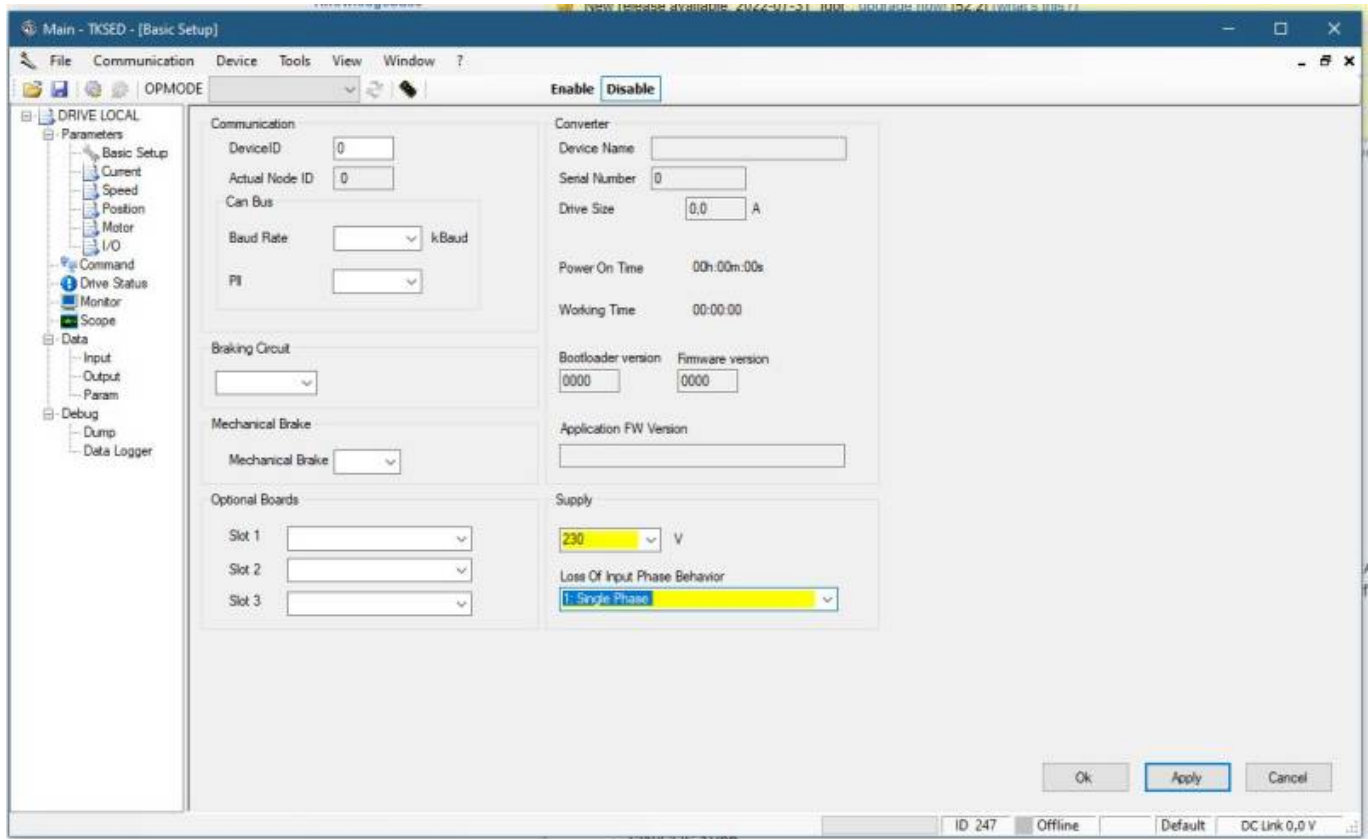


Connection with 230VAC single phase powerline

Please note that if you would like to use with monophase 230VAC power lines you have to connect L1, L2 and PE.

Respectively, **L1 (phase)**, **L2 (neutral)** and **L3 (Protection earth)**.

Then set the right Supply values on the Basic Setup window of TKSED software.



From:
<https://dokuwiki.nilab.at/> - **NiLAB GmbH**
Knowledgebase

Permanent link:
https://dokuwiki.nilab.at/doku.php?id=mbd_servo_drive:main_supply

Last update: **2023/09/21 07:16**

