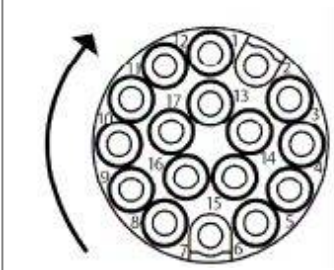
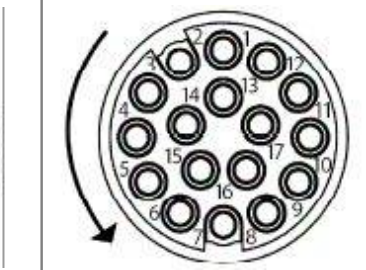
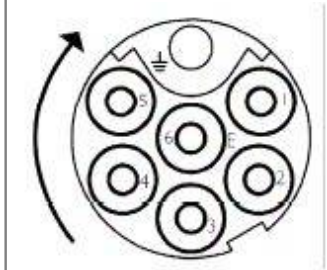
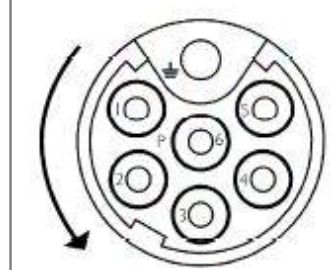
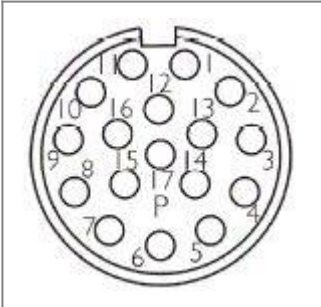
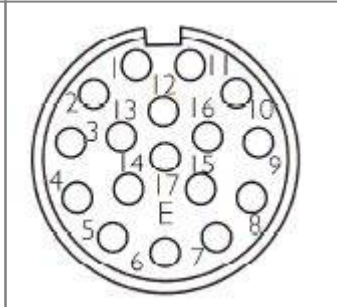




# MBM Connectors on motor side

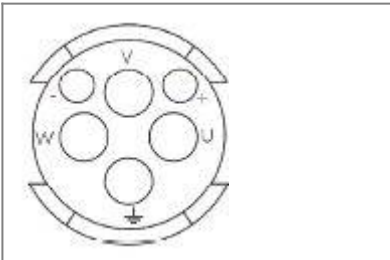
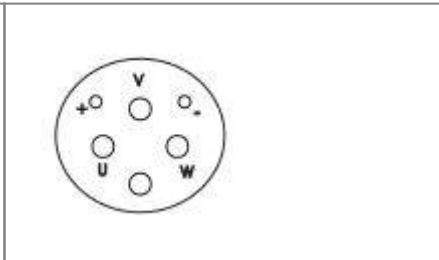
## M17 type connectors

			
Fixed side Feedback E - external view	Flying side Feedback P - external view	Fixed side Motor phases - external view	Flying side Motor phases - external view
	<b>ASTA 876 - 09010002</b>		<b>BSTA 861 - 09020002</b>

## M23 type connectors

			
Fixed side Feedback E - external view	Flying side Feedback P - external view	Fixed side Motor phases - external view	Flying side Motor phases - external view
	<b>ASTA 014 - 09010005</b>		<b>BSTA 085 - 09020004</b>

## M40 type connectors (Power only)

	
Fixed side Motor phases - external view	Flying side Motor phases - external view
	<b>CSTA 263 FR5244 - 09020005</b>

From:

<https://dokuwiki.nilab.at/> - **NiLAB GmbH**  
**Knowledgebase**

Permanent link:

[https://dokuwiki.nilab.at/doku.php?id=mbm\\_motors:motor\\_connectors](https://dokuwiki.nilab.at/doku.php?id=mbm_motors:motor_connectors)

Last update: **2025/07/24 12:38**

