

Motor Cables

- Wire length available: 1.5m, 3m and 5m
- Connectors type available: AMP electrical connectors, aviation connectors, direct connectors (recommended)
- Please contact Leadshine sales team or any NiLAB GmbH certified local retailers for any customized needs

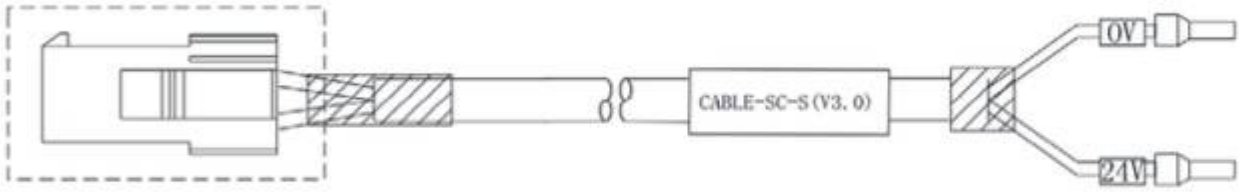
Motor with frame size 80 mm or below

AMP connector - CABLE - RZ*-S(V3.0)

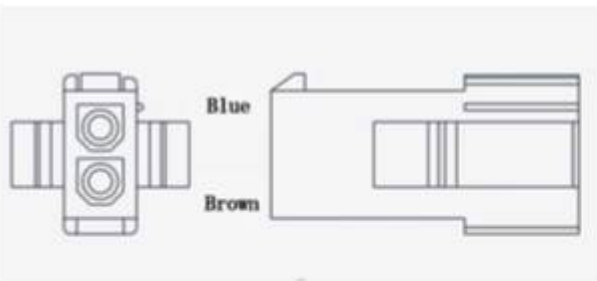
The diagram illustrates the AMP connector - CABLE - RZ*-S(V3.0) with a central cable labeled 'CABLE-RZ*-S(V3.0)'. On the left, the 'Motor side' is shown with a cross-section of the motor's internal wiring. On the right, the 'Driver side' is shown with four individual wires labeled U, V, W, and PE. Below the main diagram, there is a detailed view of the 'Motor side' connector with four pins labeled PIN 1, PIN 2, PIN 3, and PIN 4. To the right of this is a table mapping the motor pins to their colors and driver labels.

Motor	Color	Driver
1	Blue	U
3	Black	V
2	Red	W
4	Yellow-green	PE

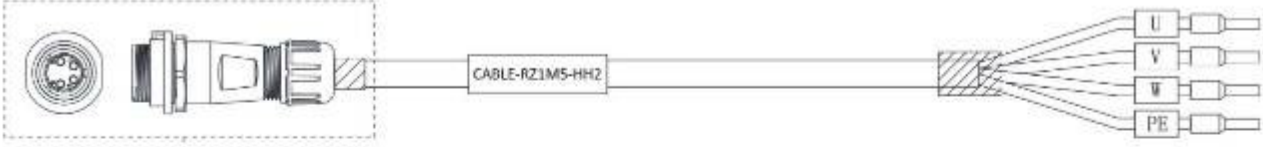
AMP electrical connector - Brake - CABLE-SC*-S(V3.0)



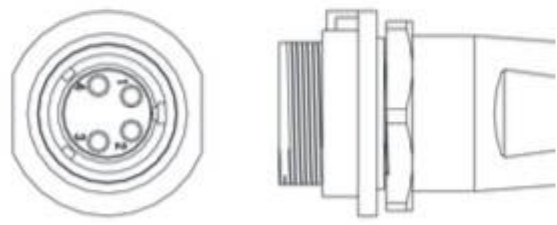
Motor side **Driver side**

Motor cable pin	Pins									
 <p>Motor side</p>	<table border="1" style="width: 100%; border-collapse: collapse;"> <thead> <tr style="background-color: #d9e1f2;"> <th>Motor</th> <th>Color</th> <th>Pin</th> </tr> </thead> <tbody> <tr> <td style="text-align: center;">2</td> <td style="text-align: center;">Blue</td> <td style="text-align: center;">0V</td> </tr> <tr> <td style="text-align: center;">1</td> <td style="text-align: center;">Brown</td> <td style="text-align: center;">24V</td> </tr> </tbody> </table>	Motor	Color	Pin	2	Blue	0V	1	Brown	24V
Motor	Color	Pin								
2	Blue	0V								
1	Brown	24V								

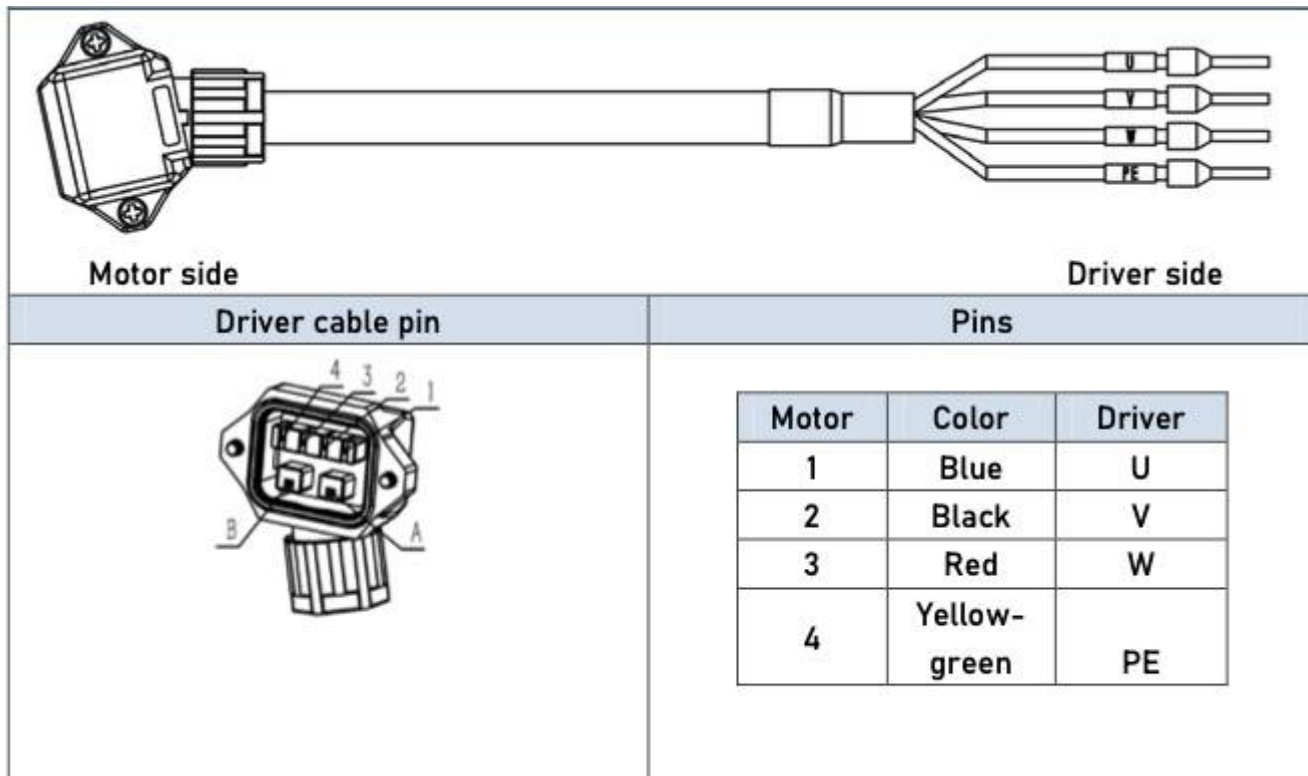
Aviation connector - CABLE-RZ-HH2 (V3.0)



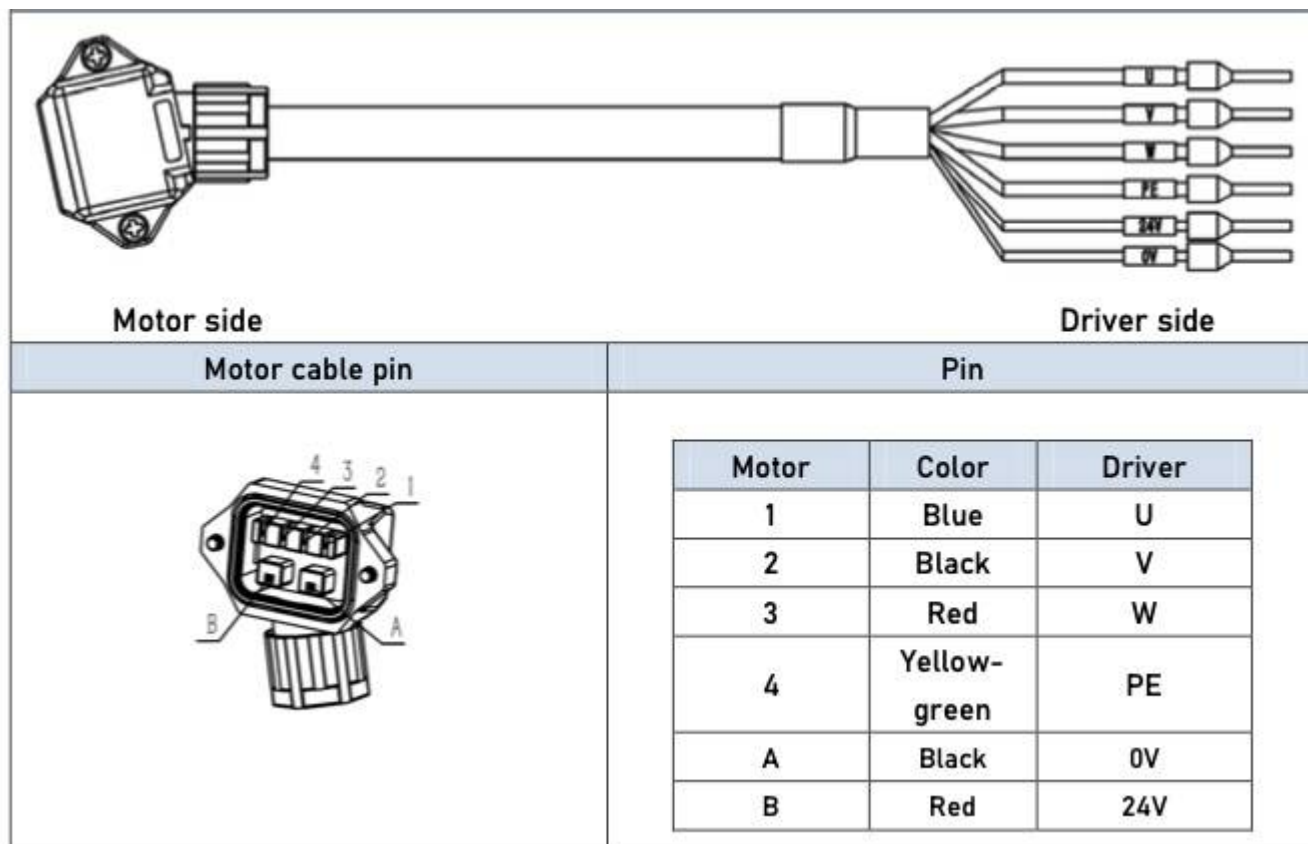
Motor side **Driver side**

Motor cable pin	Pins															
 <p>Motor side</p>	<table border="1" style="width: 100%; border-collapse: collapse;"> <thead> <tr style="background-color: #d9e1f2;"> <th>Motor</th> <th>Color</th> <th>Driver</th> </tr> </thead> <tbody> <tr> <td style="text-align: center;">1</td> <td style="text-align: center;">Blue</td> <td style="text-align: center;">U</td> </tr> <tr> <td style="text-align: center;">3</td> <td style="text-align: center;">Black</td> <td style="text-align: center;">V</td> </tr> <tr> <td style="text-align: center;">2</td> <td style="text-align: center;">Red</td> <td style="text-align: center;">W</td> </tr> <tr> <td style="text-align: center;">4</td> <td style="text-align: center;">Yellow-green</td> <td style="text-align: center;">PE</td> </tr> </tbody> </table>	Motor	Color	Driver	1	Blue	U	3	Black	V	2	Red	W	4	Yellow-green	PE
Motor	Color	Driver														
1	Blue	U														
3	Black	V														
2	Red	W														
4	Yellow-green	PE														

Direct connector - CABLE-RZH*M*-114-TS without holding brake

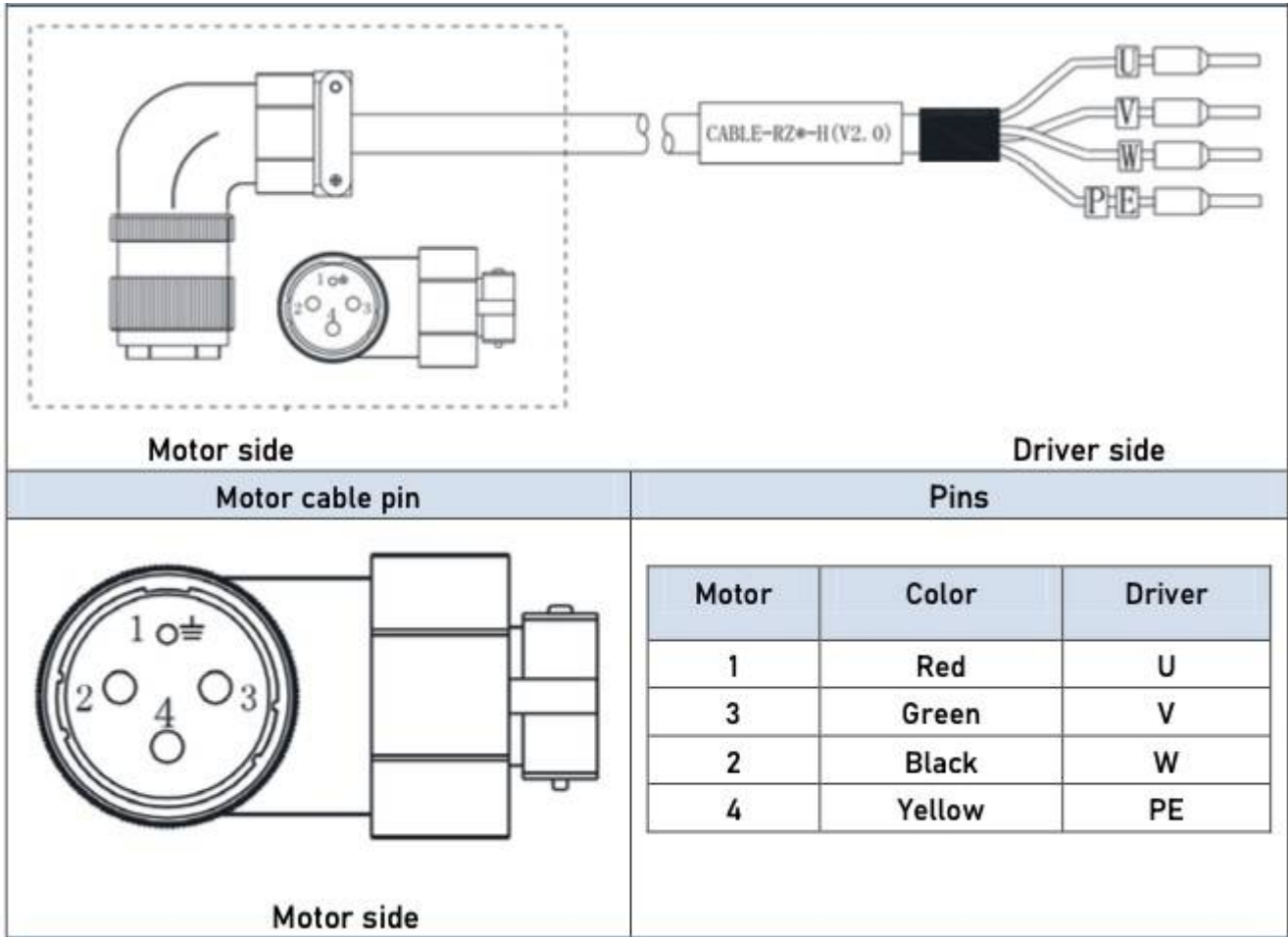


Direct connector - holding brake - CABLE-RZH*M*-114-TS

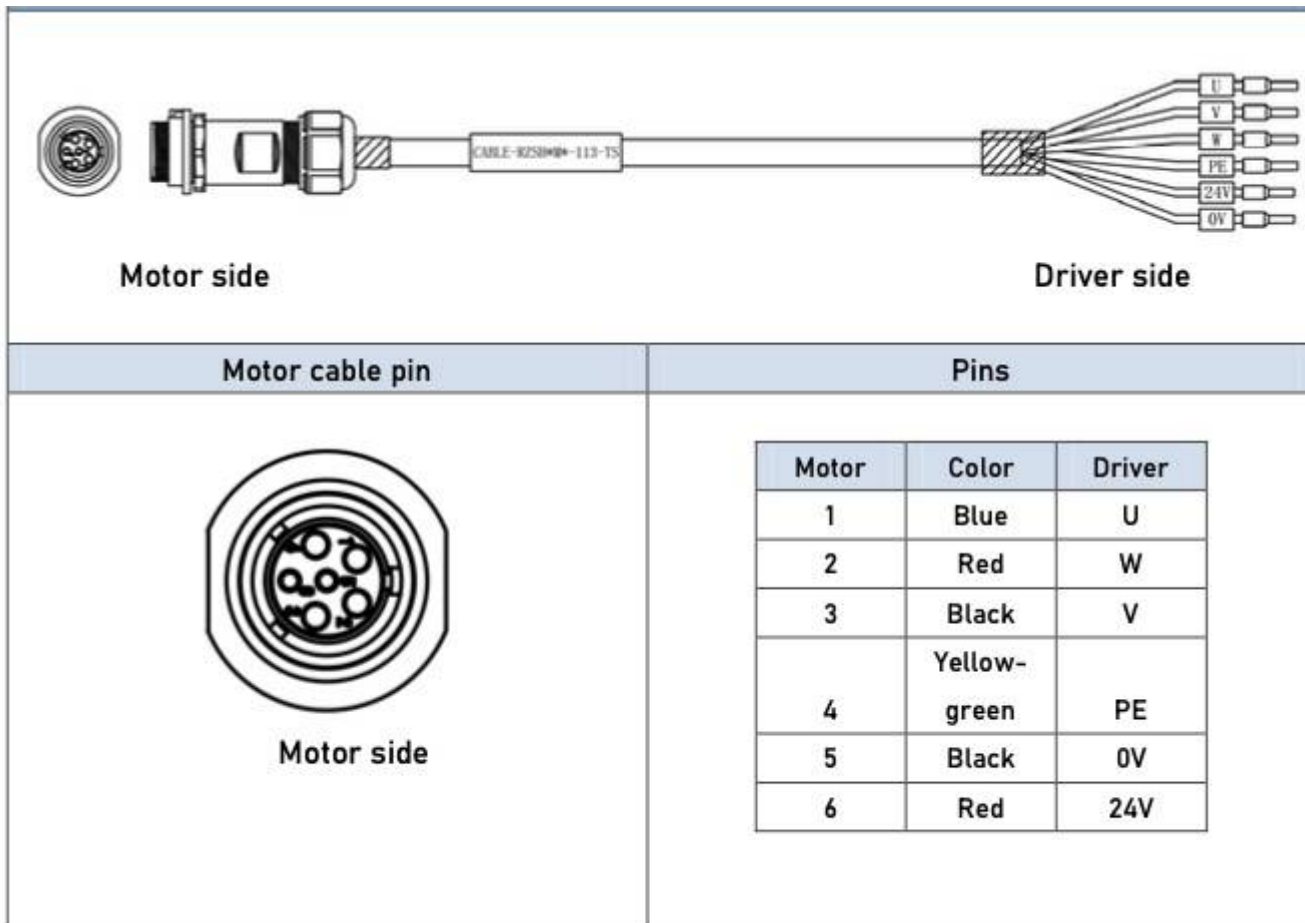


Motor with frame size 130 mm

Aviation connector - CABLE-RZ*H(V1.1/V2.0)



Aviation connector - holding brake - CABLE-RZSH*M*-113-TS



From:
<https://dokuwiki.nilab.at/> - NiLAB GmbH
Knowledgebase

Permanent link:
https://dokuwiki.nilab.at/doku.php?id=n17_servo:cables

Last update: 2024/03/13 06:26

