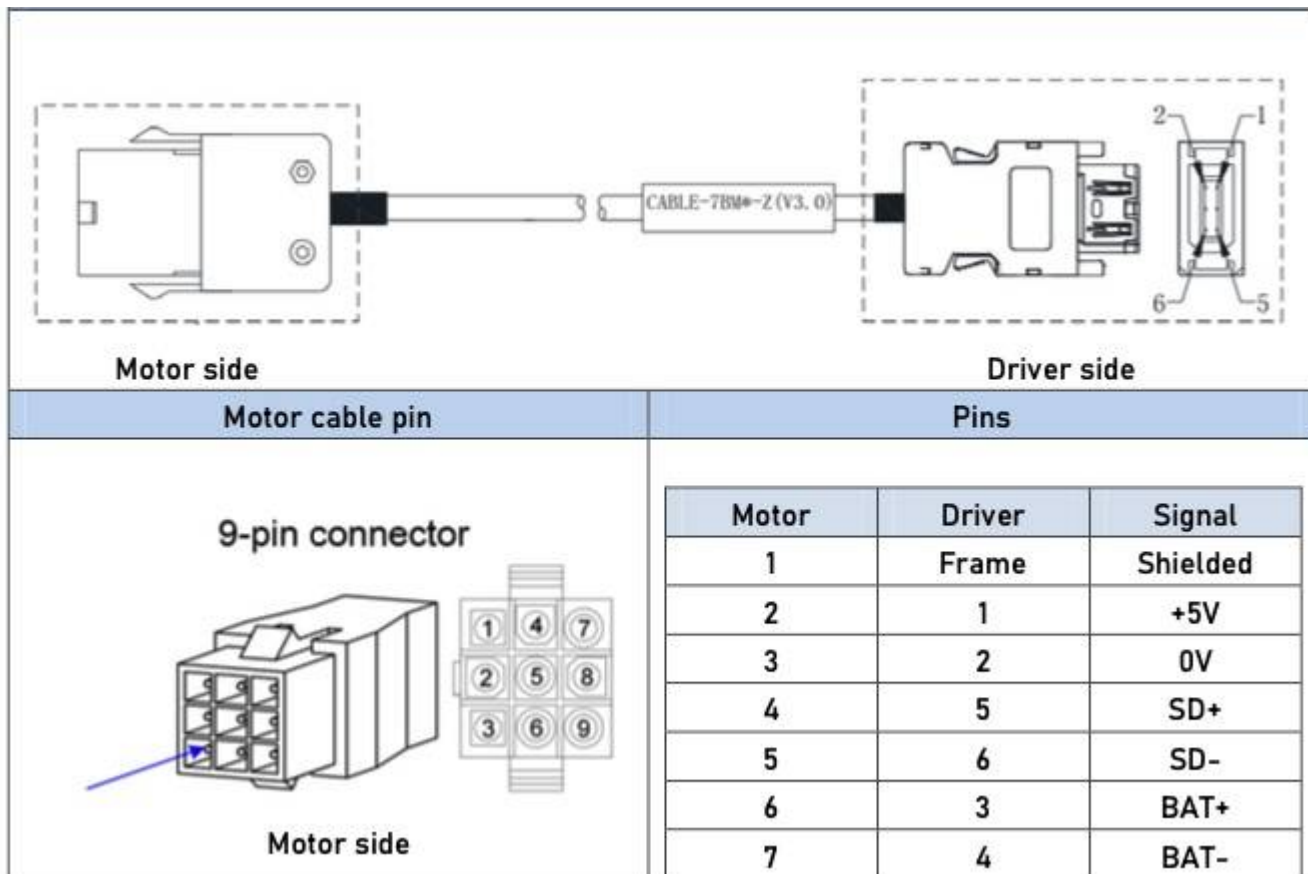


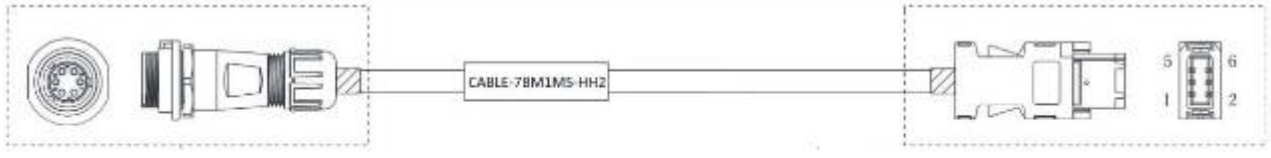
Encoder cables

Motor frame size 80 mm or below

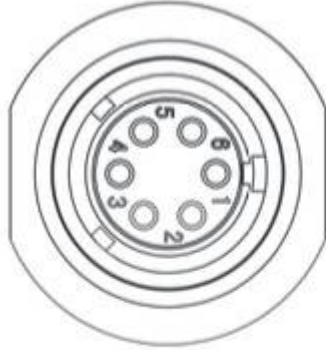
AMP connector - CABLE-7BM*-Z(V3.0)



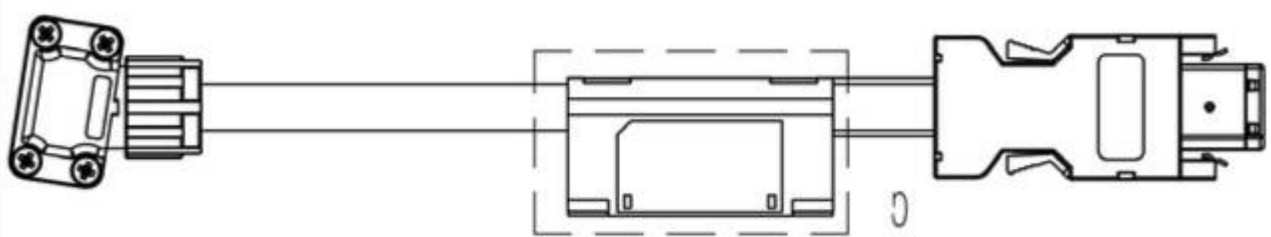
Aviation connector - CABLE-7BM*-HH2



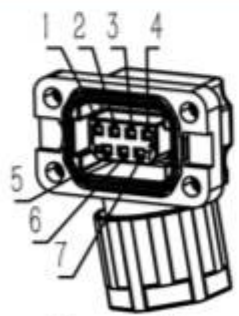
Motor side **Driver side**

Motor cable pin	Pin		
 Motor side	Motor	Driver	Signal
	1	Frame	Shielded
	2	1	+5V
	3	2	0V
	4	5	SD+
	5	6	SD-
	6	3	BAT+
	7	4	BAT-

Direct connector - CABLE-BMAH*M*-124-TS - Absolute encoder

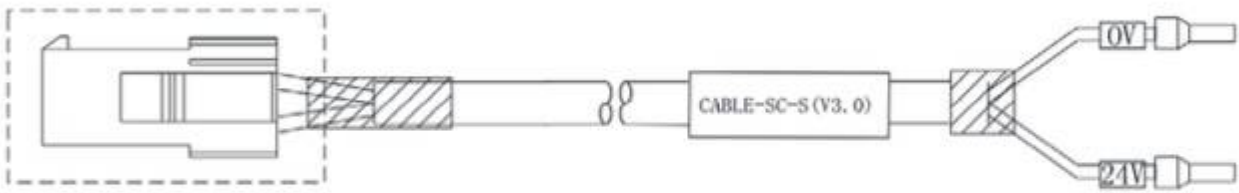


Motor side **Driver side**

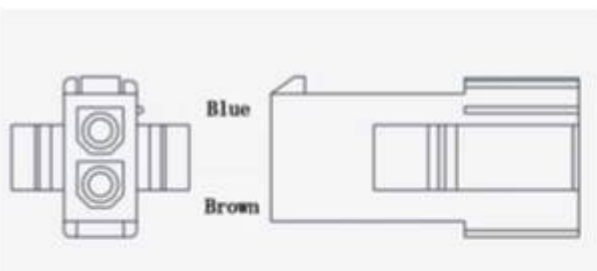
Motor cable pin	Pin		
 Motor side	Motor	Driver	Signal
	1	Frame	Shielded
	2	1	+5V
	3	2	0V
	4	5	SD+
	5	6	SD-
	6	3	BAT+
	7	4	BAT-

Motor frame size 130 mm

Aviation connector - CABLE-/BM*HZ(V3.0)



Motor side **Driver side**

Motor cable pin	Pins										
 <p>Motor side</p>	<table border="1" style="width: 100%; border-collapse: collapse;"> <thead> <tr style="background-color: #d9e1f2;"> <th>Motor</th> <th>Color</th> <th>Pin</th> </tr> </thead> <tbody> <tr> <td style="text-align: center;">2</td> <td style="text-align: center;">Blue</td> <td style="text-align: center;">0V</td> </tr> <tr> <td style="text-align: center;">1</td> <td style="text-align: center;">Brown</td> <td style="text-align: center;">24V</td> </tr> </tbody> </table>	Motor	Color	Pin	2	Blue	0V	1	Brown	24V	
Motor	Color	Pin									
2	Blue	0V									
1	Brown	24V									

From:
<https://dokuwiki.nilab.at/> - NiLAB GmbH
Knowledgebase

Permanent link:
https://dokuwiki.nilab.at/doku.php?id=n17_servo:encoder_cables

Last update: **2024/03/13 06:35**

