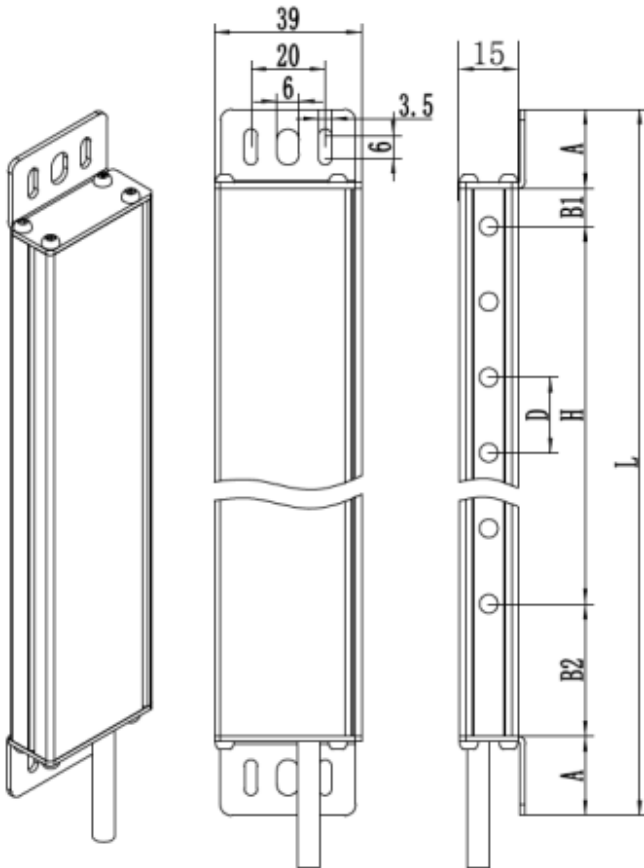


Product size

Metal cover version



Metal cover

- A: Upper and bottom cover
- B1: Upper stop-work range
- B2: Bottom stop-work range
- D: Beam space
- H: Protective height
- L: Total height

A=20mm;

When D=10mm, B1=5mm; B2=25mm

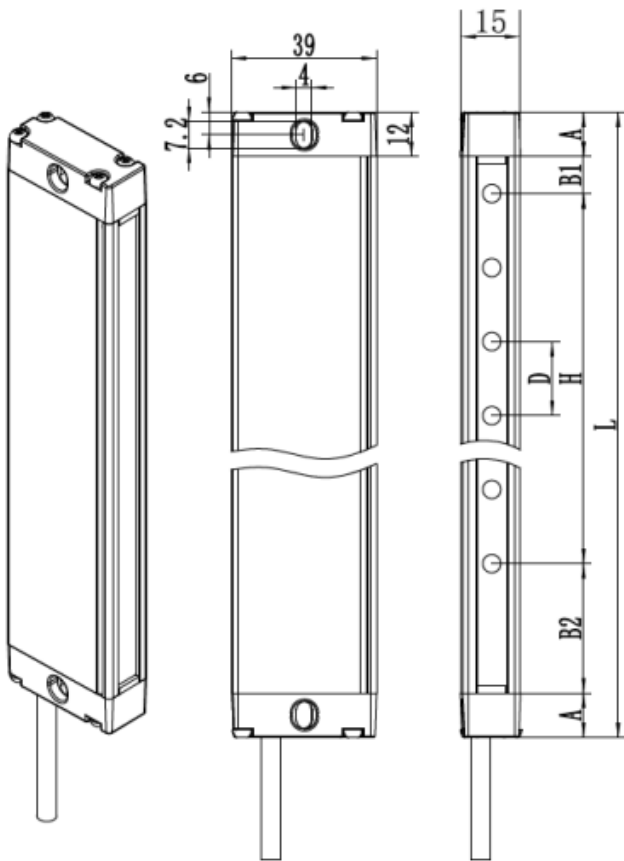
When D=20mm, B1=5mm; B2=15mm

When D=40mm, B1=5mm; B2=15mm

L is total height: $L=A1+A2+B1+B2+H$

H is protective height: $H=(\text{beams}-1) * \text{beam space}$

Plastic cover version



Plastic cover

- A: Upper and bottom cover
- B1: Upper stop-work range
- B2: Bottom stop-work range
- D: Beam space
- H: Protective height
- L: Total height

A=12mm;

When D=10mm, B1=5mm; B2=25mm

When D=20mm, B1=5mm; B2=15mm

When D=40mm, B1=5mm; B2=15mm

L is total height: $L=A1+A2+B1+B2+H$

H is protective height: $H=(\text{beams}-1) * \text{beam space}$

From:

<https://dokuwiki.nilab.at/> - NiLAB GmbH

Knowledgebase

Permanent link:

https://dokuwiki.nilab.at/doku.php?id=nl_eb15_safety:size

Last update: **2025/05/07 14:37**

