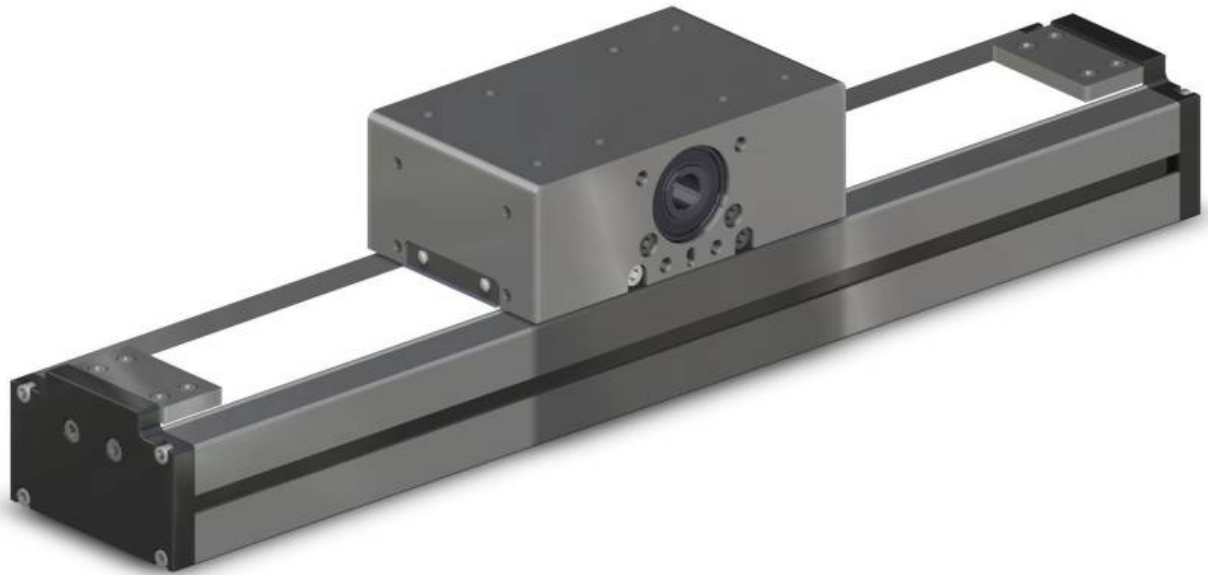
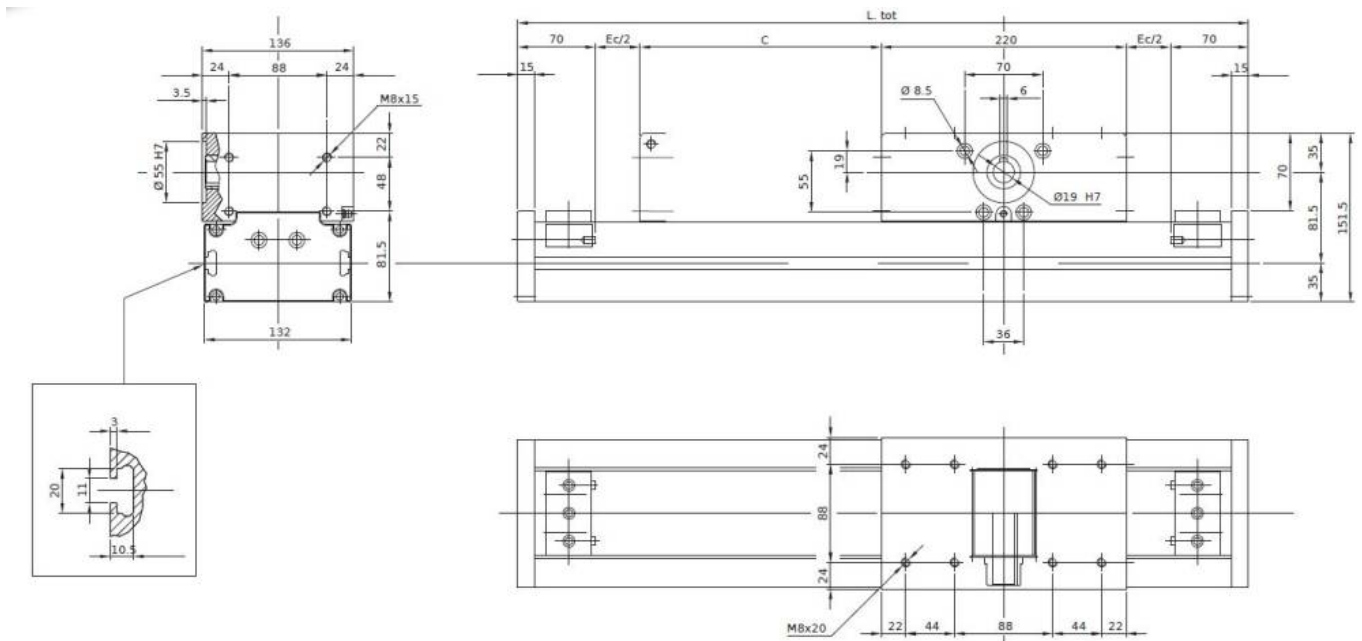


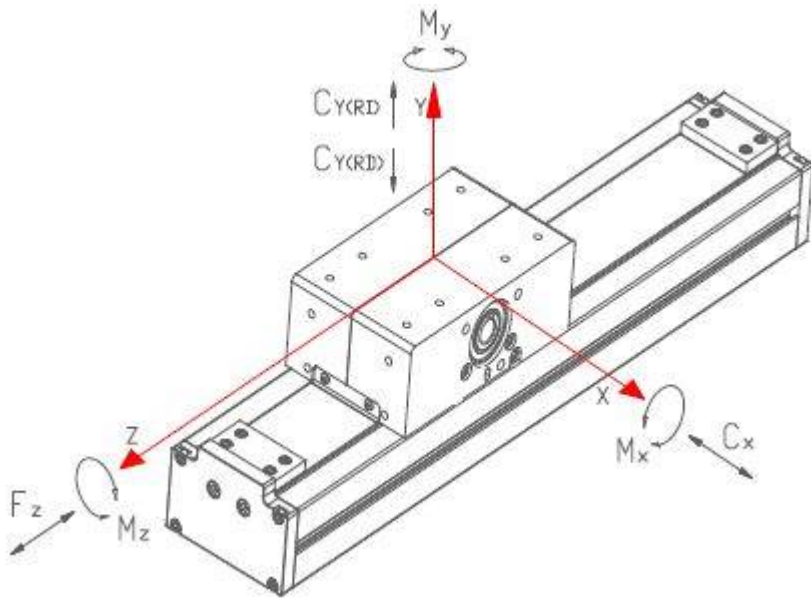
ULCV 132



Mechanical Drawing



Load rating



F_z [daN]	C_x [daN]	C_y [daN] (*)	C_{x} [daN]	C_{y} [daN] (*)	M_{ox} [daNm]	M_{oy} [daNm]	M_{oz} [daNm]
360	5053	5053↓ 5053↑	8710	8710↓ 8710↑	910	910	220

Technical data

Parameter	Symbol	Value	Unit
Max usable stroke		6500	mm
Total lenght	Ltot	C+Lc+190	mm
Carriage length	Lc	230	mm
Carriage usable length	Lu	220	mm
Extra-stroke (safety)	Ec	60	mm
Max speed		180	m/min
Max acceleration		100	m/sec ²
Position repeatability		< 0.05	mm
Aluminium profile section		132 x 71 x 5	mm
Inertia momentum of aluminium profile	I _x	1413267	mm ⁴
Inertia momentum of aluminium profile	I _y	2429437	mm ⁴
Type of mechanic		linear guide with compact block	
Belt type		Poliuretán HTD-5M-75	
Pulley teeth number		36	
Diameter		57,3	mm
Linear movement per rotation		180	mm
Operating temperature		-20 / +60	degrees

From:
<https://dokuwiki.nilab.at/> - **NiLAB GmbH**
Knowledgebase

Permanent link:
<https://dokuwiki.nilab.at/doku.php?id=ulco:ulcv132>

Last update: **2025/07/24 13:43**

